

OPEL CORSA D, 3/5 D

~~ECO FLEX 1,3 CDTI,~~

~~OPC, GSI~~

09.2006 → 11.2014

OPEL CORSA E, 3/5 D

12.2014 →

Cat. no:

E50V



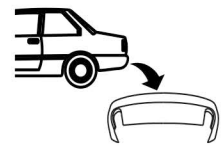
2,5h

e20

e20*94/20*0829*00

D

7,66 kN

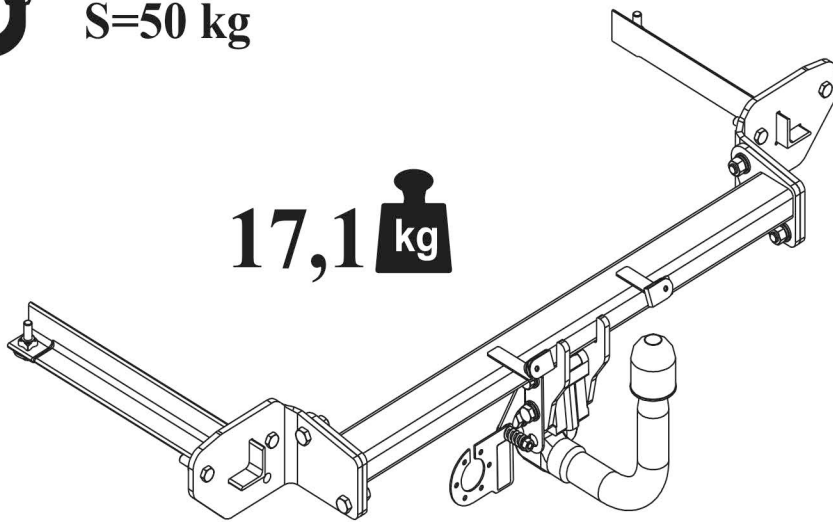


R=1300 kg



S=50 kg

17,1 kg



M6 - 11 Nm
M10 - 50 Nm
M14 - 138 Nm

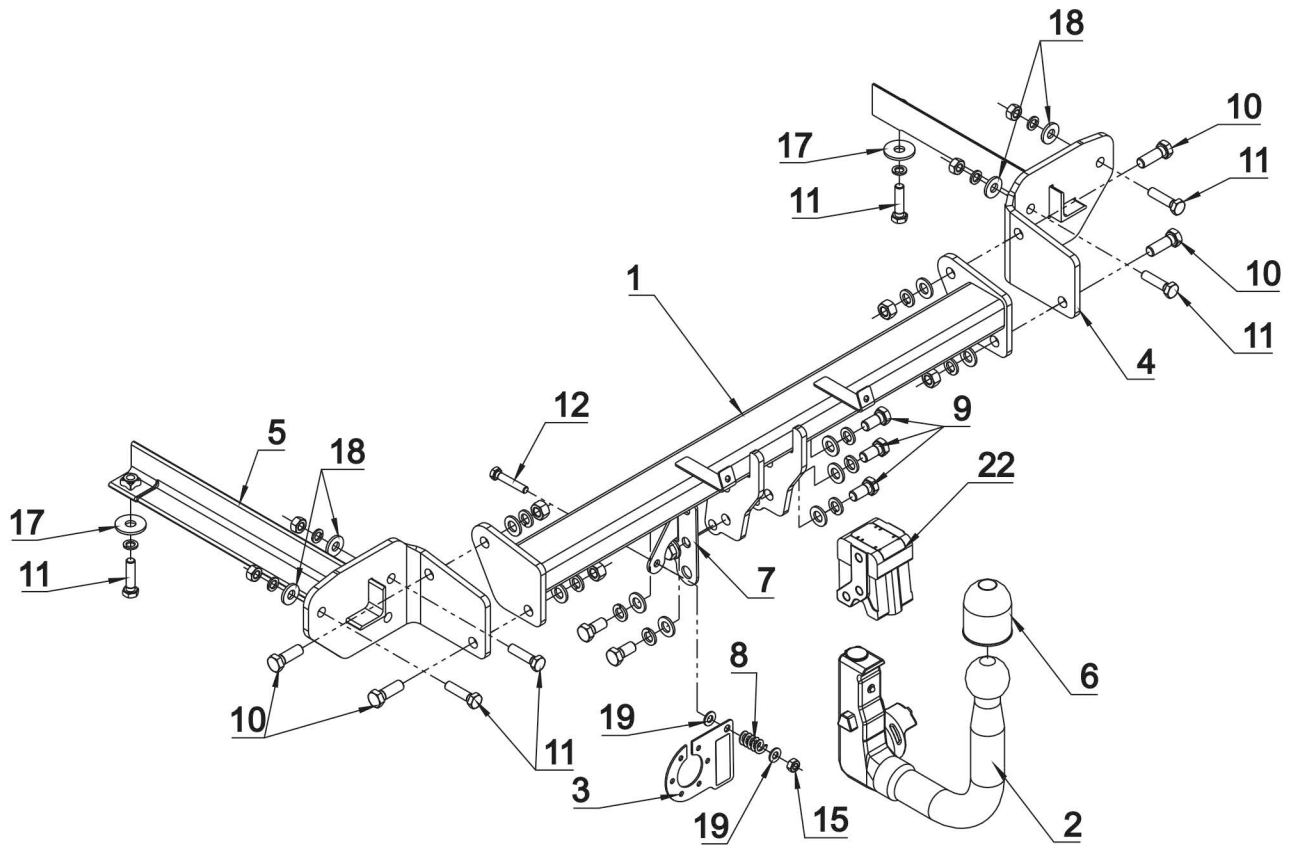
M8 - 25 Nm
M12 - 87 Nm
M16 - 210 Nm

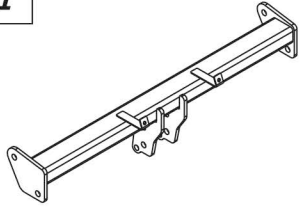





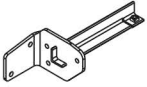
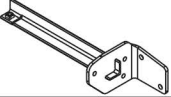


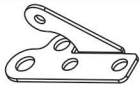





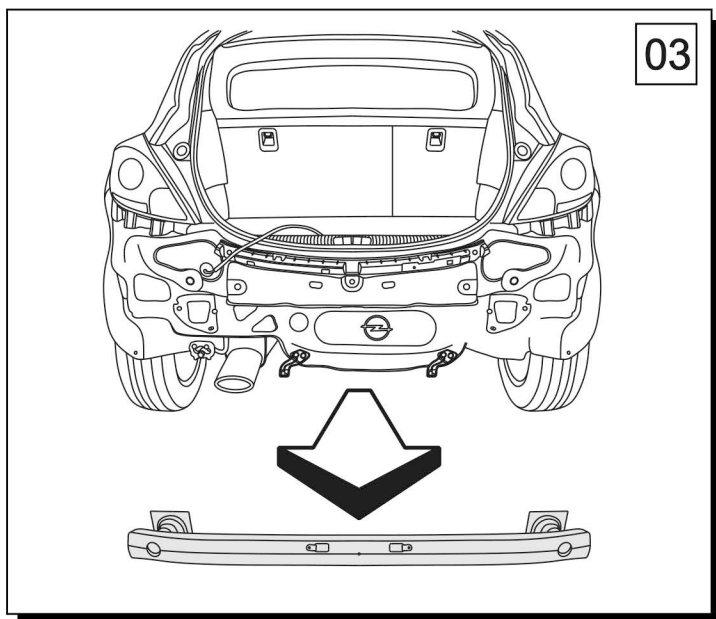
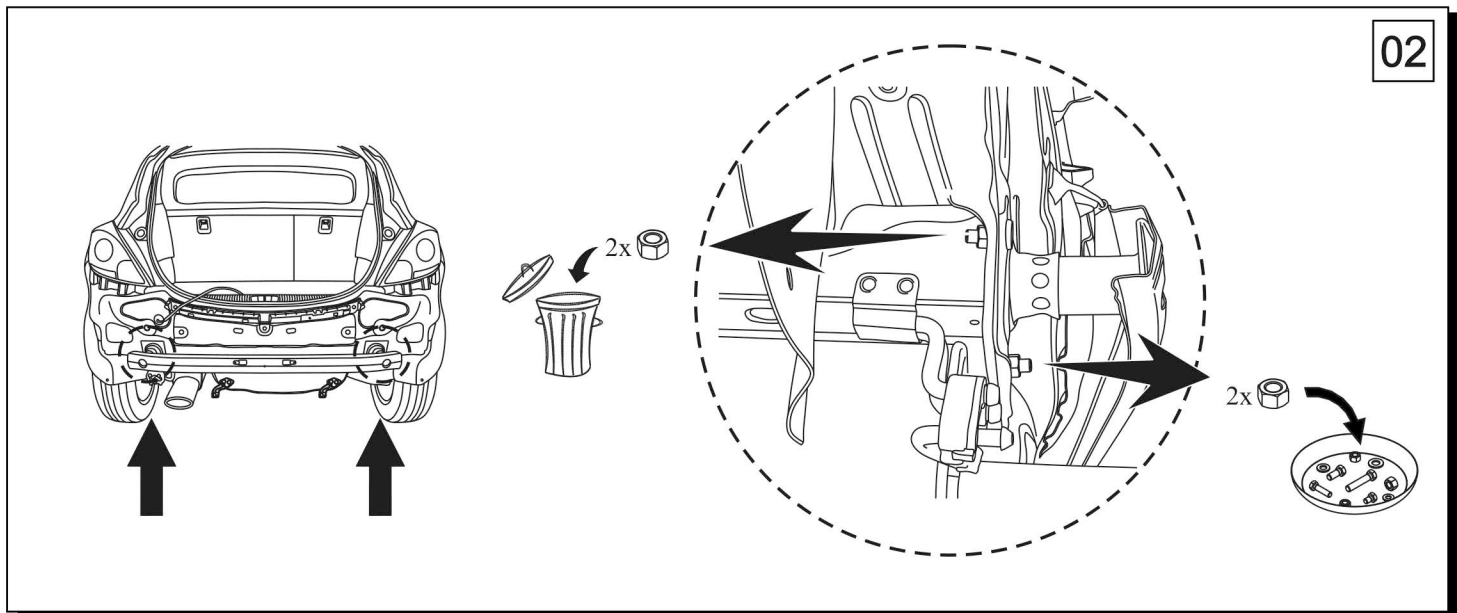
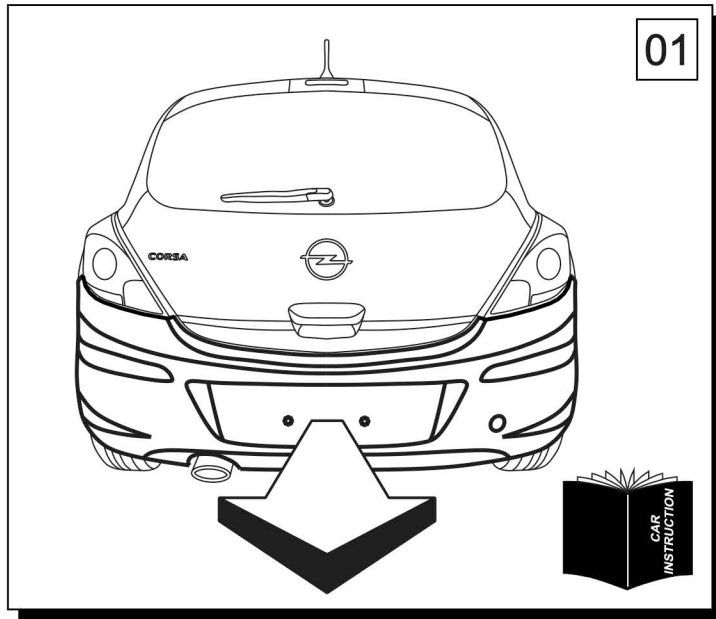
0 km



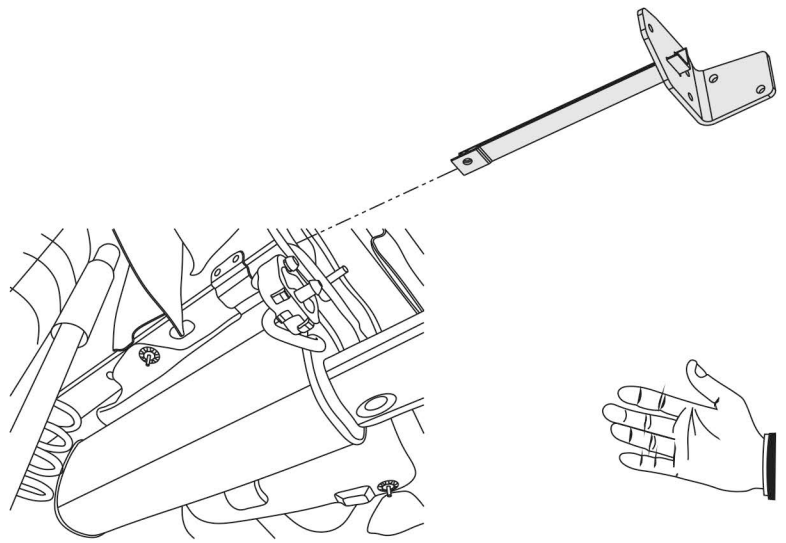
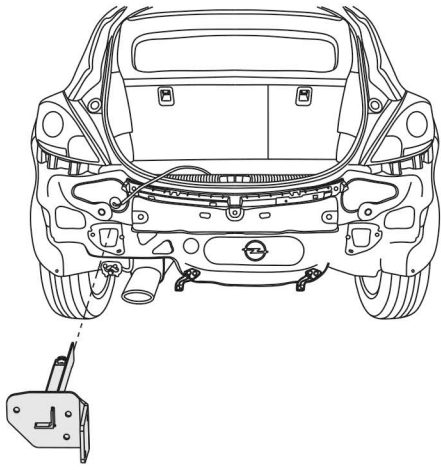
1000 km



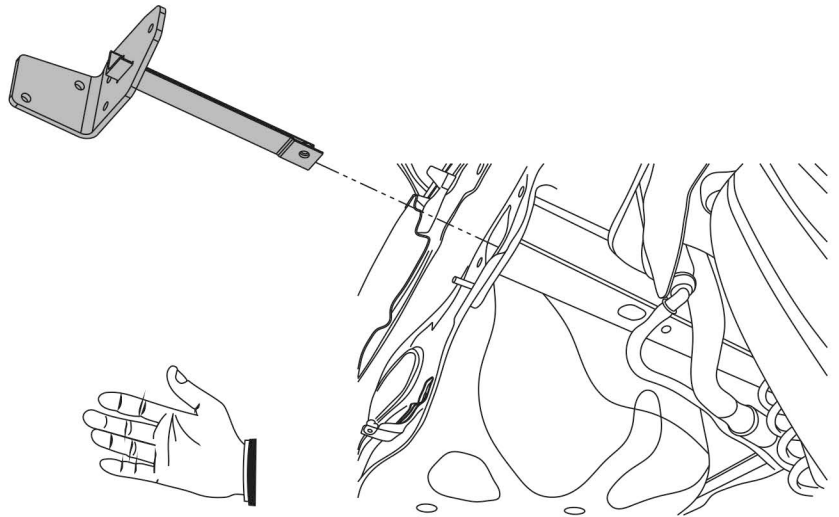
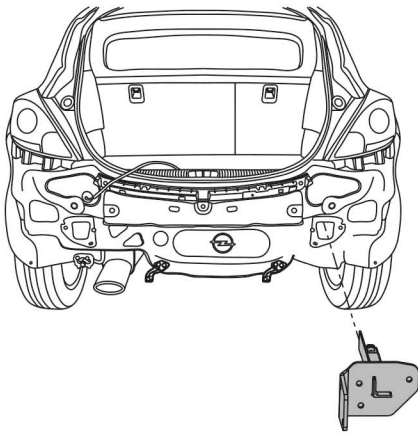
1		x1		9 M12x25	x6
				10 M12x35	x4
				11 M10x40	x6
				12 M8x45	x1
2		x1		13 M12	x4
				14 M10	x4
				15 M8	x1
3		x1		16 ϕ 13	x10
				17 ϕ 37x ϕ 13x3	x2
4		x1		13 – DIN 9021	
5		x1		18 ϕ 30x ϕ 10.5x2.5	x4
				10 – DIN 9021	
6		x1		19 ϕ 8.5	x2
				20 ϕ 12.2	x10
				21 ϕ 10.2	x6
7		x1	22		x1
8		x1	23		x1



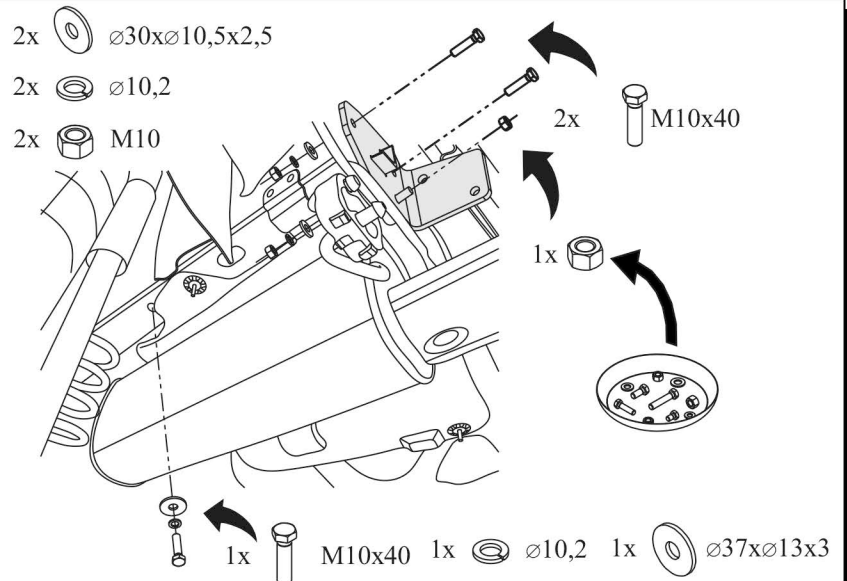
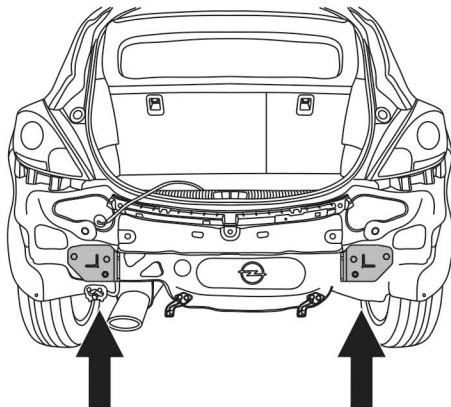
05

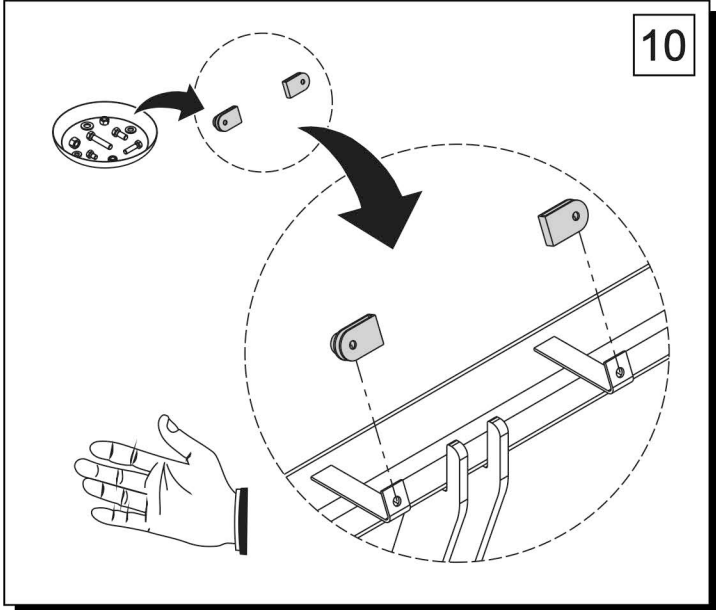
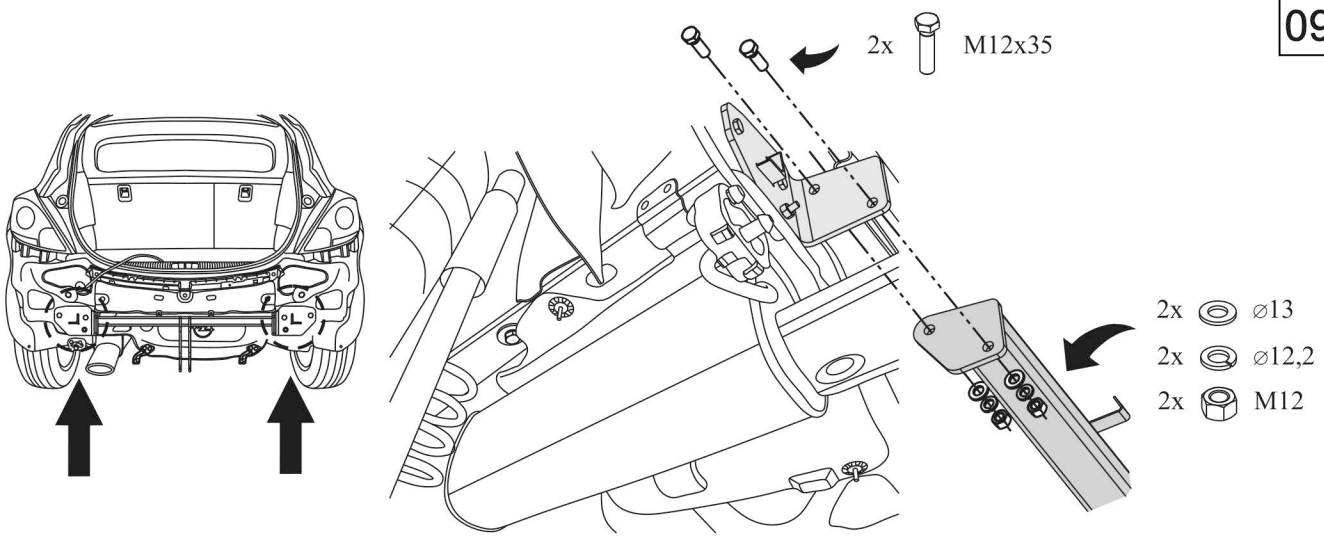
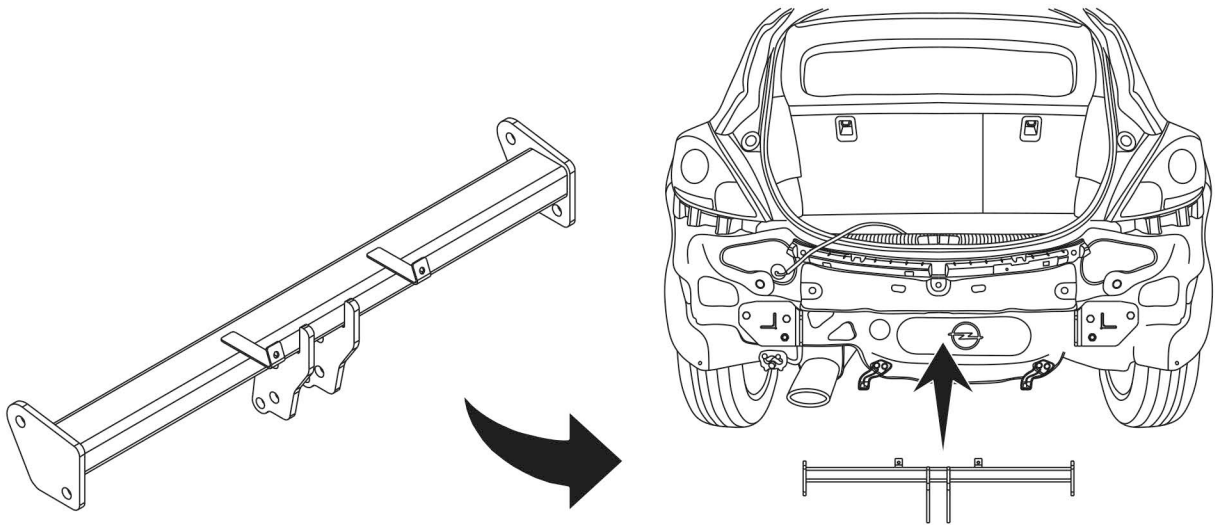


06



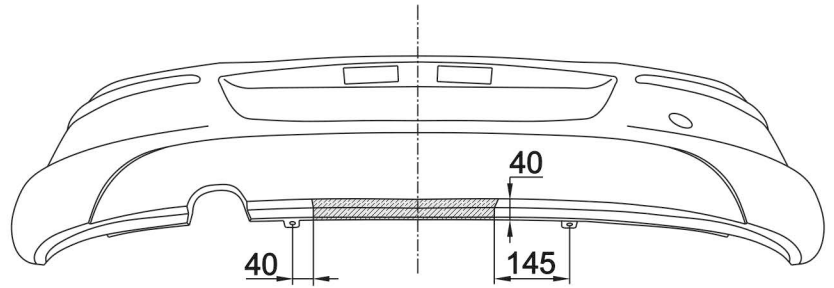
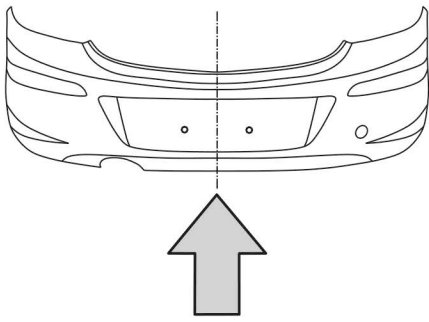
07





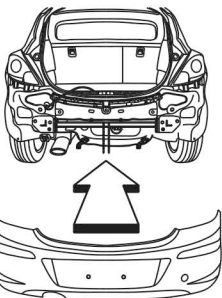
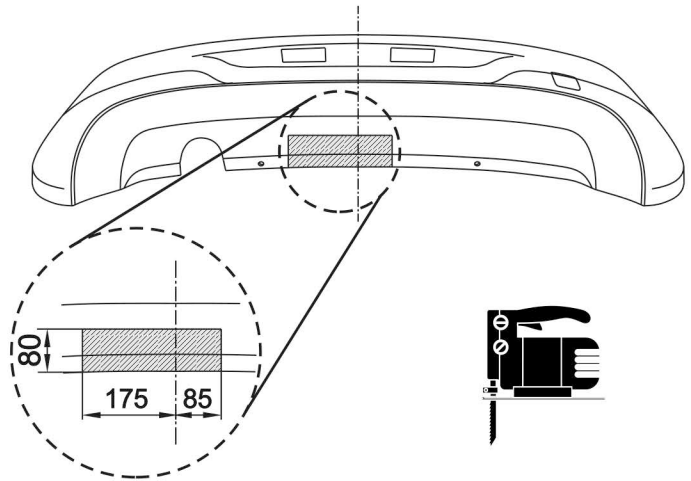
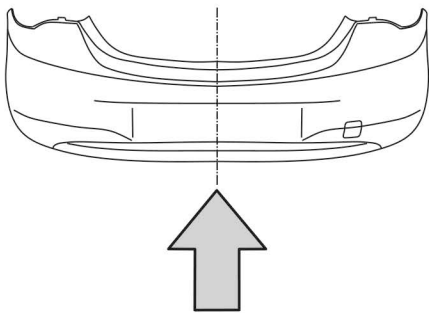
! OPEL CORSA D, 3/5 D
2007 → 2015

11

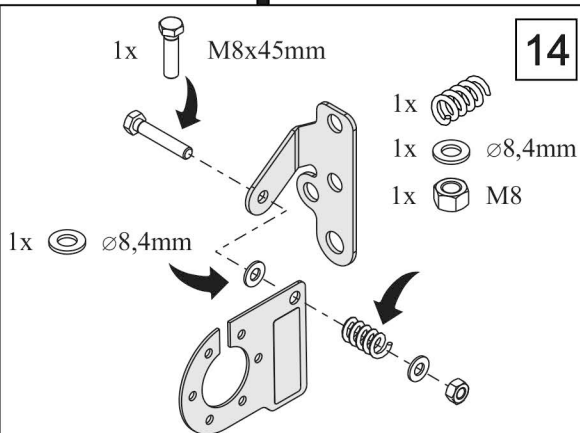


! OPEL CORSA E, 3/5 D
2015 →

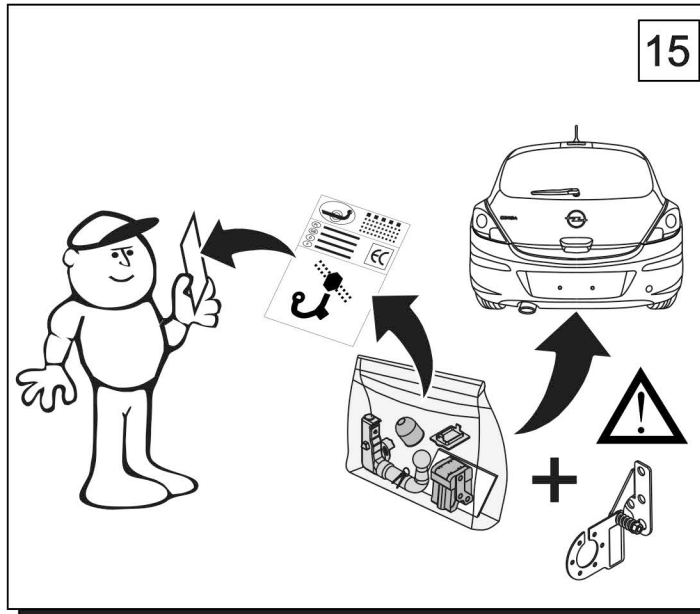
12



13



14



15