

SKODA KAROQ

Cat. no:
H29V



2017 →



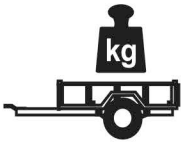
E20-55R-01 5359



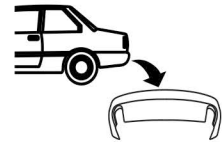
2h

D

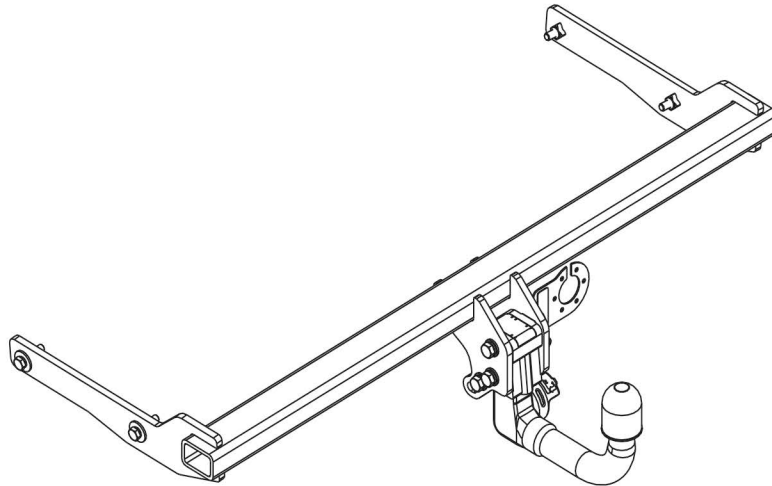
10,8 kN



R=2000 kg

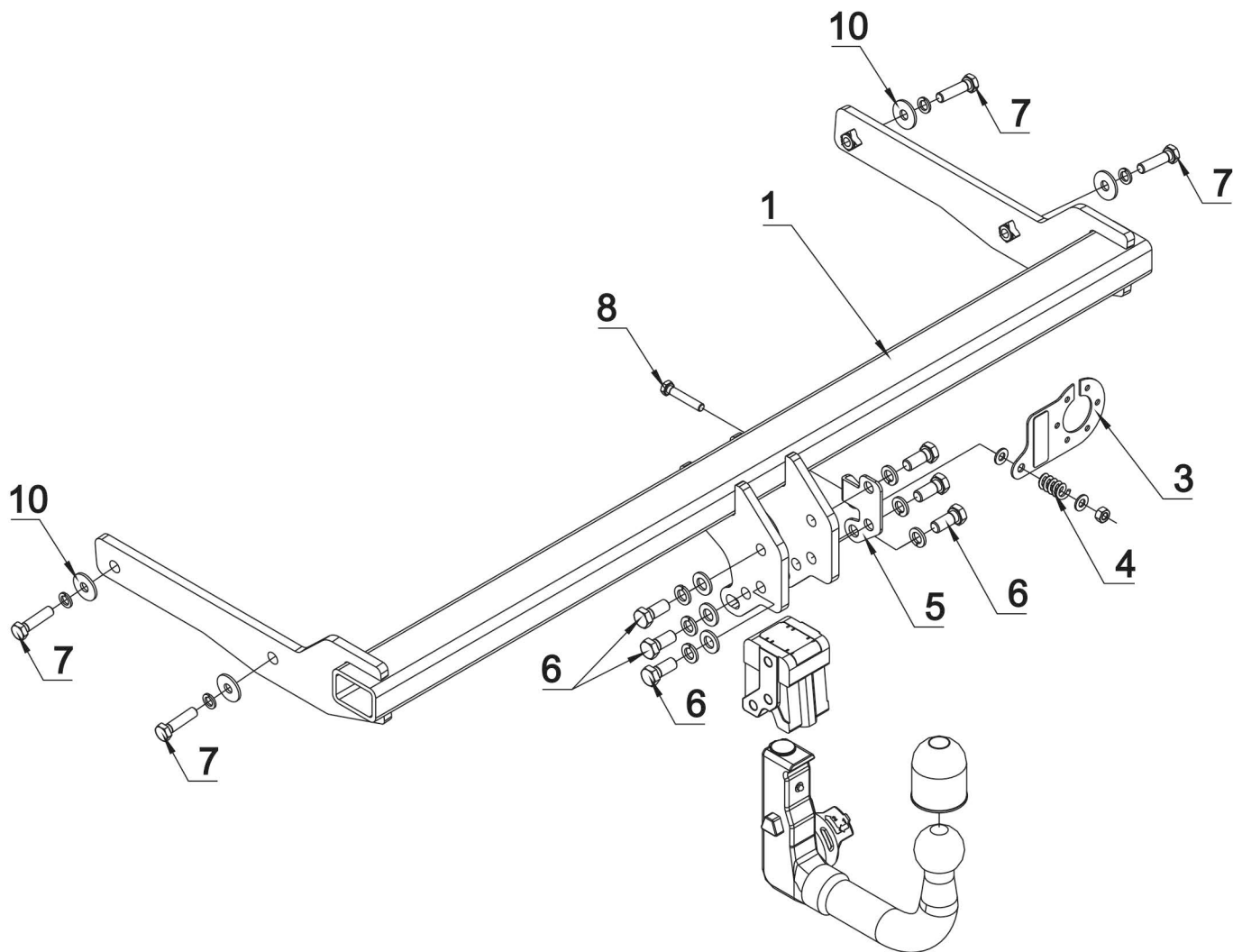


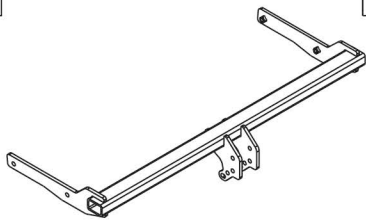

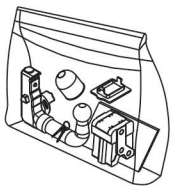



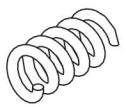


S=90 kg



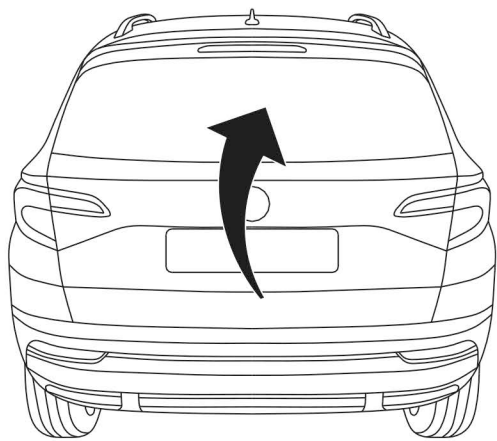
šruba	Nm	M6	M8	M10	M12	M14	M16
klasa 8.8		9,9	24	48	83	132	200
klasa 10.9		14	34	67	117	185	285

0 km → 1000 km

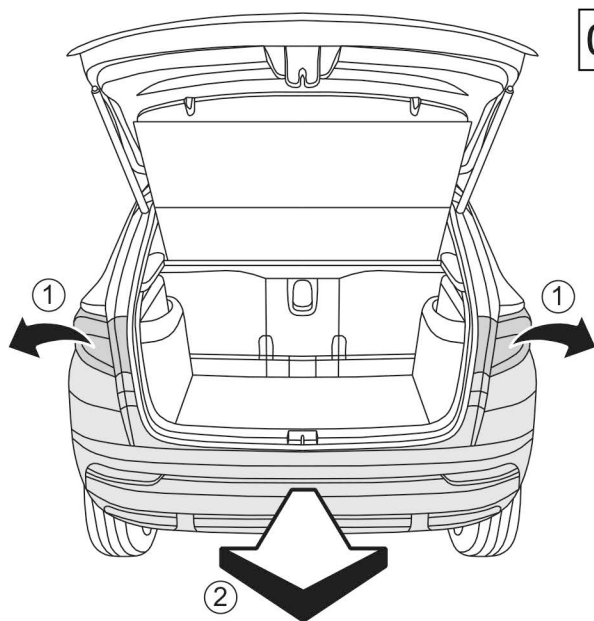


1 	x 1		6 M12x28 7 M10x40 8 M8x45	x 6 x 4 x 1
2 	x 1 Art.nr-KL1H29V		9 \varnothing 13 10 \varnothing 30x \varnothing 10.5x2.5 10 DIN 9021	x 3 4
3 	x 1 Art.nr-BL1H29V		11 \varnothing 8.5	x 2
4 	x 1		12 \varnothing 12.2	x 6
5 	x 1	13 \varnothing 10.2	x 4	x 1

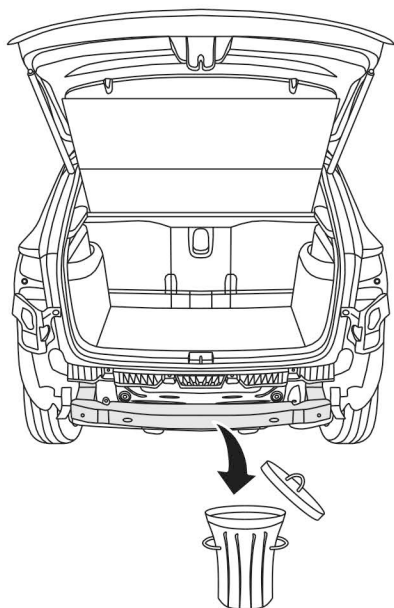
01



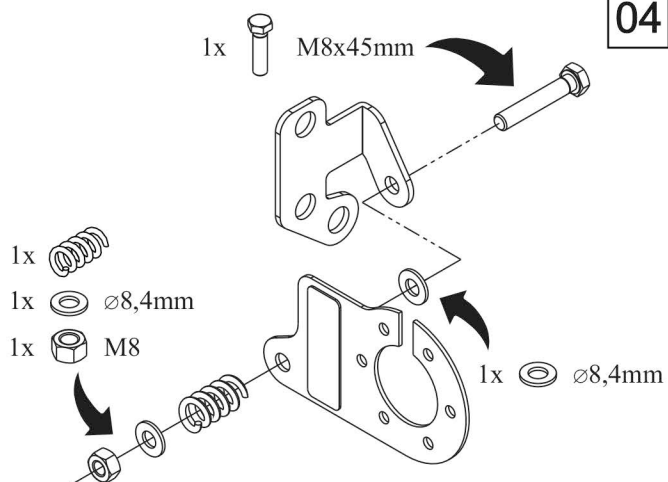
02



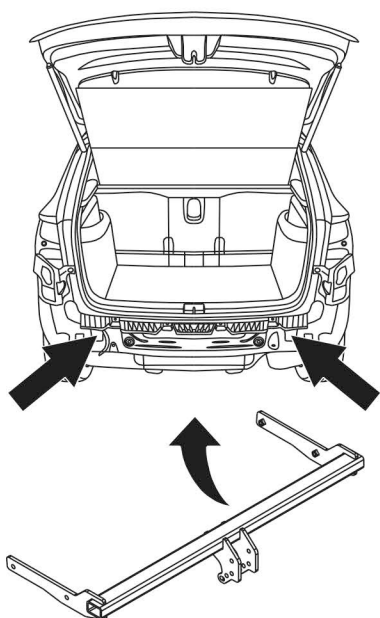
03



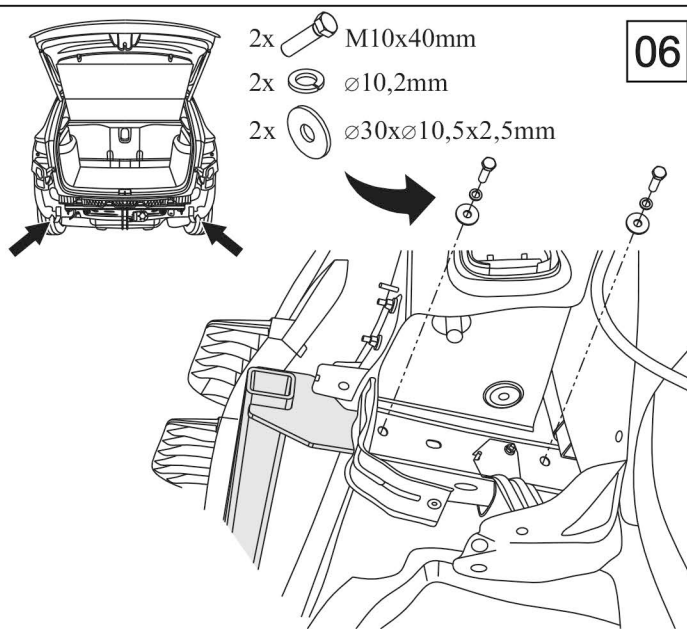
04



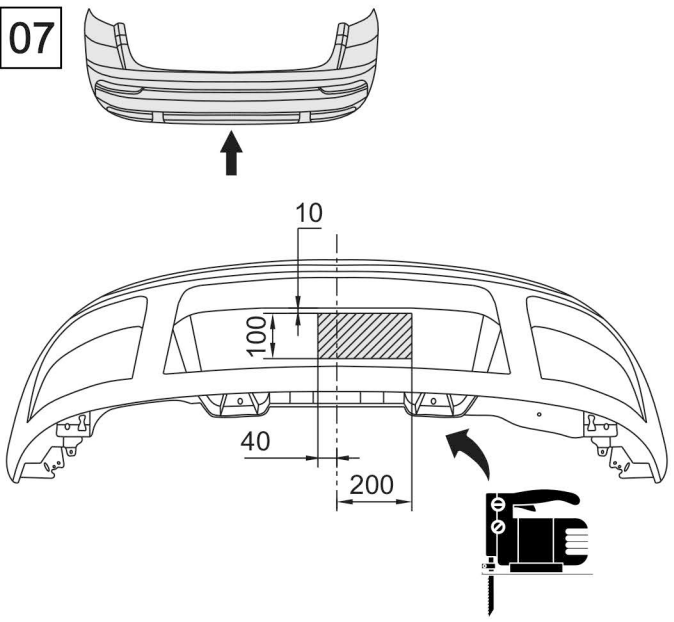
05



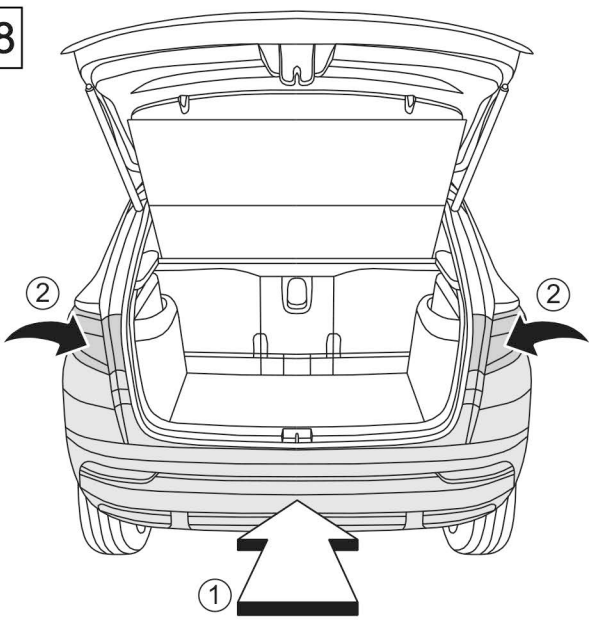
06



07



08



09

