

OPEL INSIGNIA SPORTS TOURER (KOMBI)

Cat. no:

E64A



06.2017 →



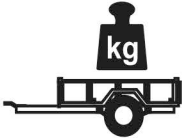
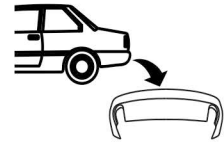
E20-55R-01 5125



2h



11,3 kN

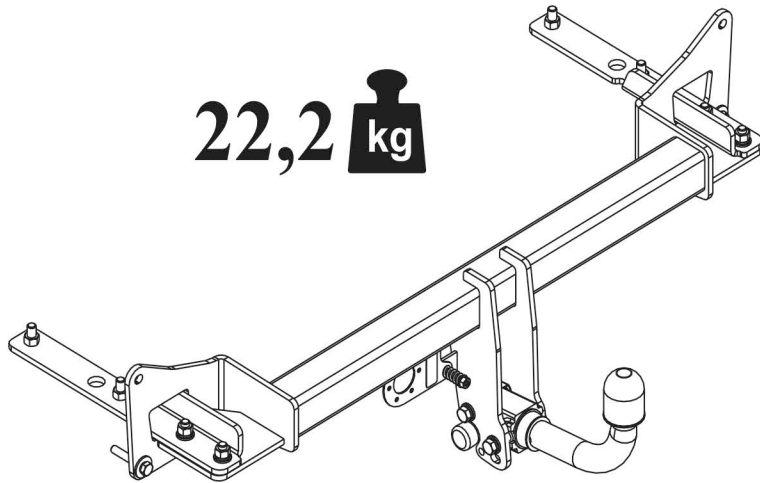


R=2200 kg



S=85 kg

22,2 kg



M6 - 8,5 Nm
M10 - 41 Nm
M14 - 112 Nm

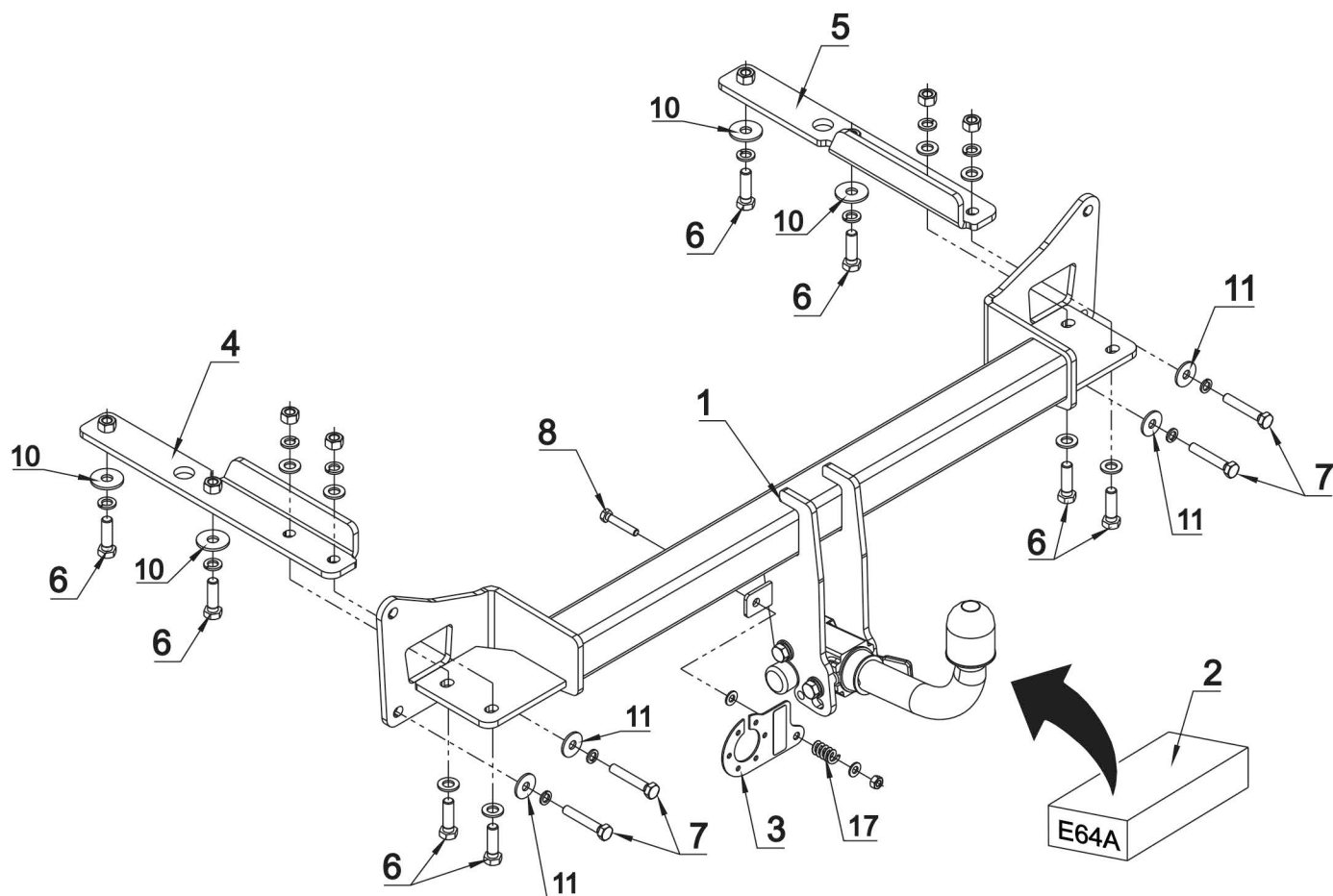
M8 - 20 Nm
M12 - 70 Nm
M16 - 170 Nm

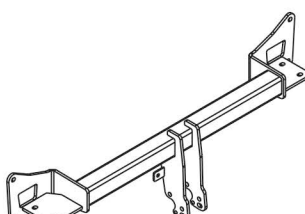

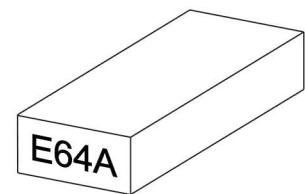



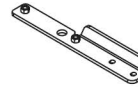

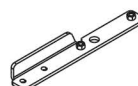
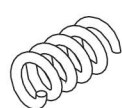


0 km

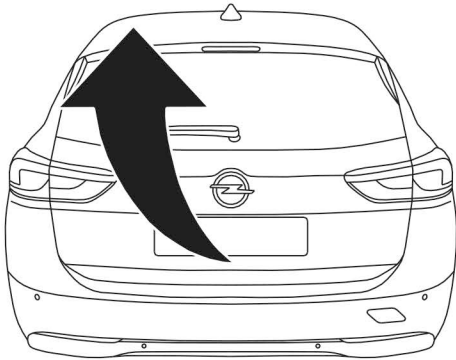


1000 km

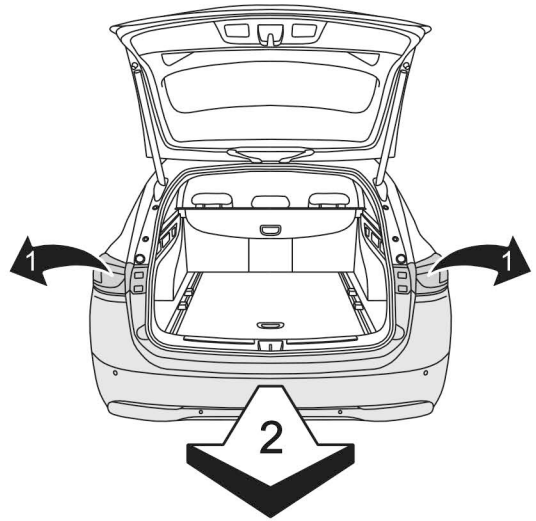


1 	x 1		6 M 12x40	x 8
			7 M 10x60	x 4
			8 M 8x45	x 1
			9 \varnothing 13	x 8
2 	x 1		10 \varnothing 37x \varnothing 13x3 13 (DIN 9021)	x 4
			11 \varnothing 30x \varnothing 10.5x2.5 10 (DIN 9021)	x 4
			12 \varnothing 8.4	x 2
			13 \varnothing 12.2	x 8
3 	x 1		14 \varnothing 10.2	x 4
			15 M 12	x 6
4 	x 1		16 M 8	x 1
			17	x 1
5 	x 1			

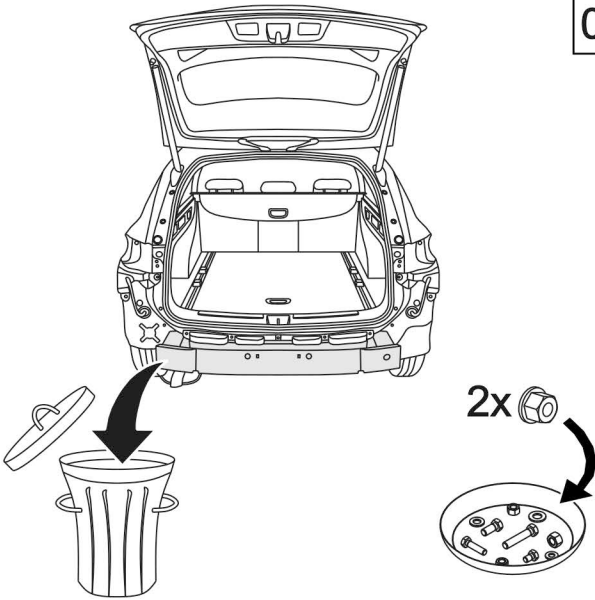
01



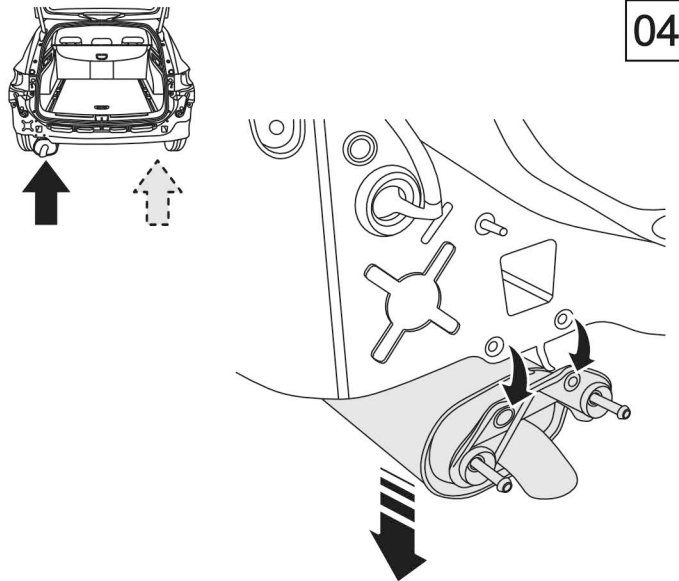
02



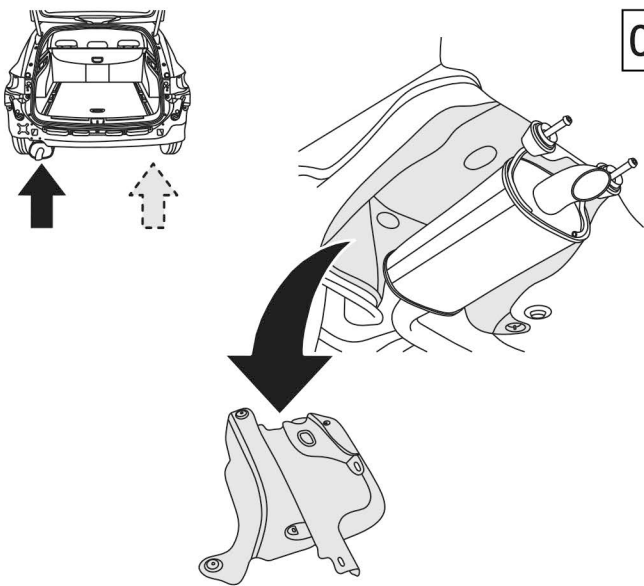
03



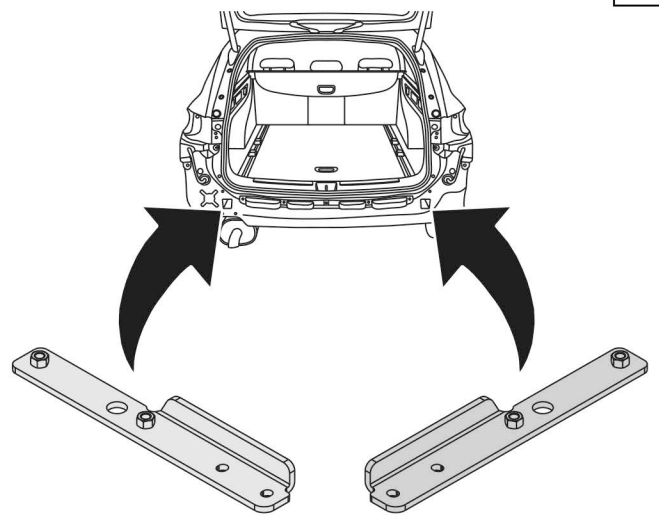
04



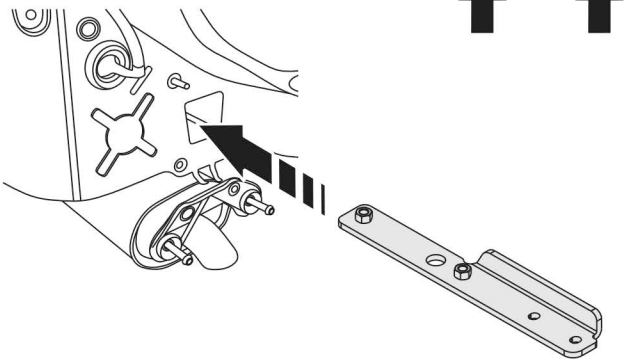
05



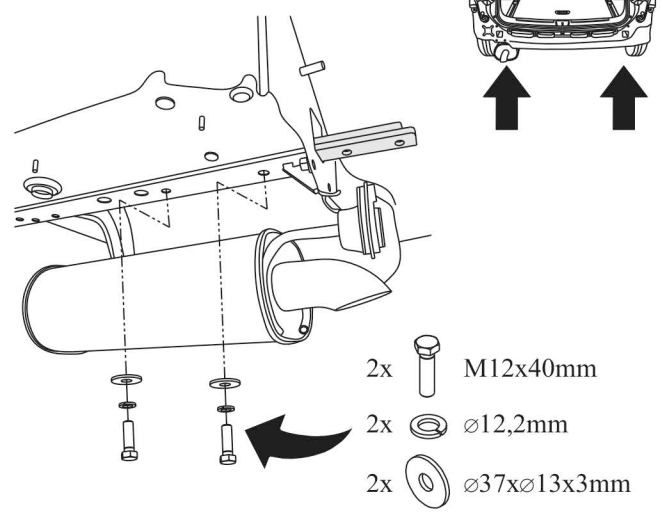
06



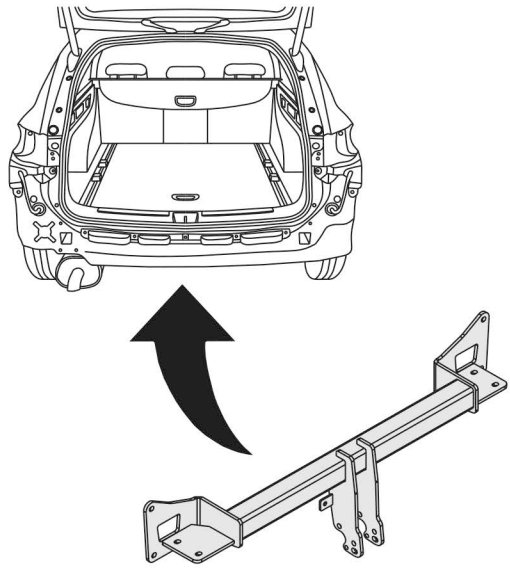
07



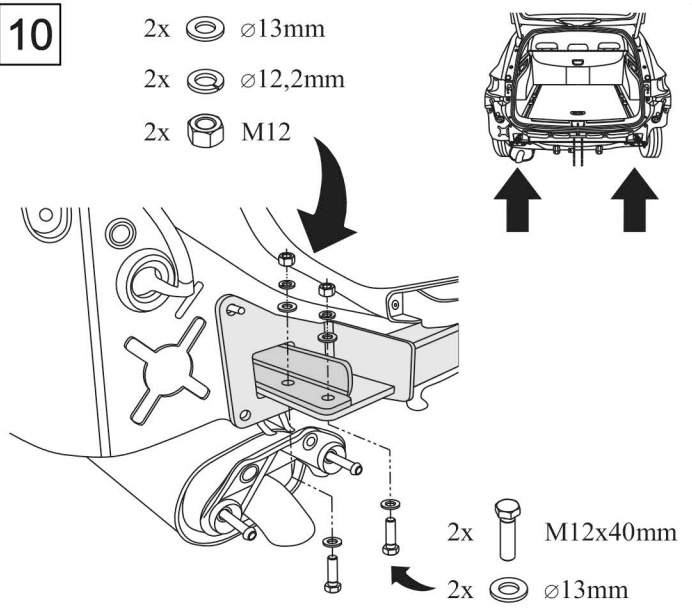
08



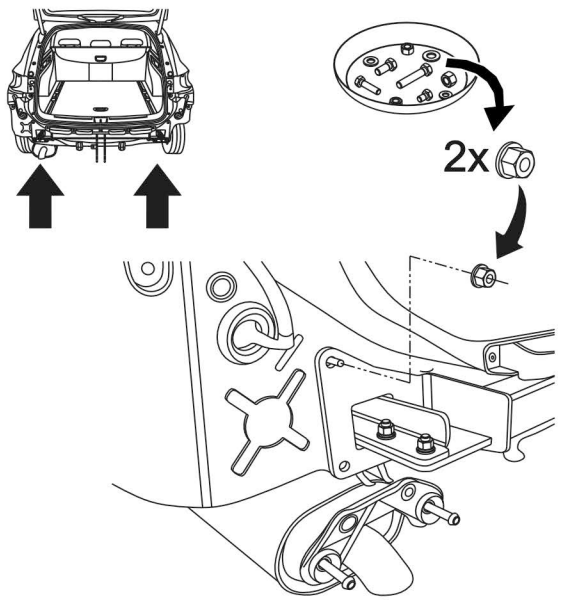
09



10



11



12

