

## OPEL INSIGNIA GRAND SPORT (5d)

Cat. no:

**E65V**



06.2017 →



E20-55R-01 5277



2h

**D**

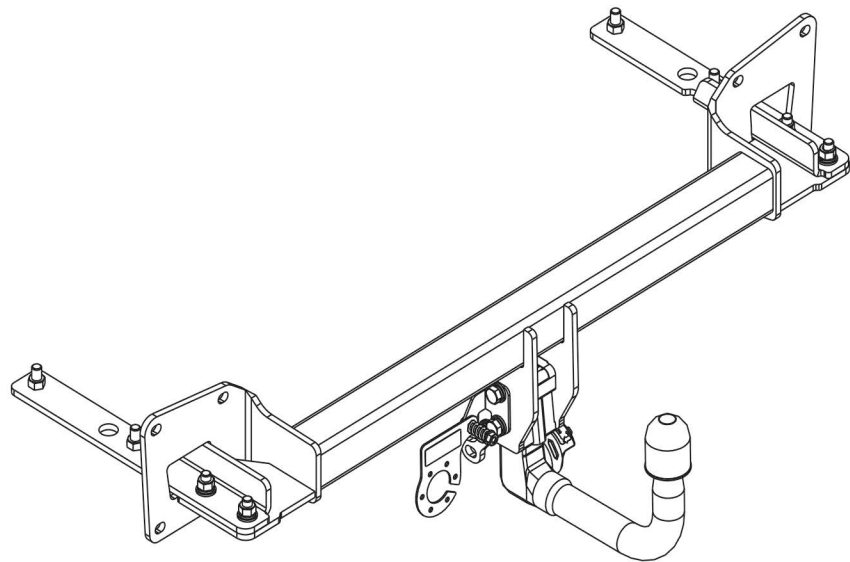
11,0 kN



R=2200 kg



S=90 kg



M6 - 8,5 Nm  
M10 - 41 Nm  
M14 - 112 Nm

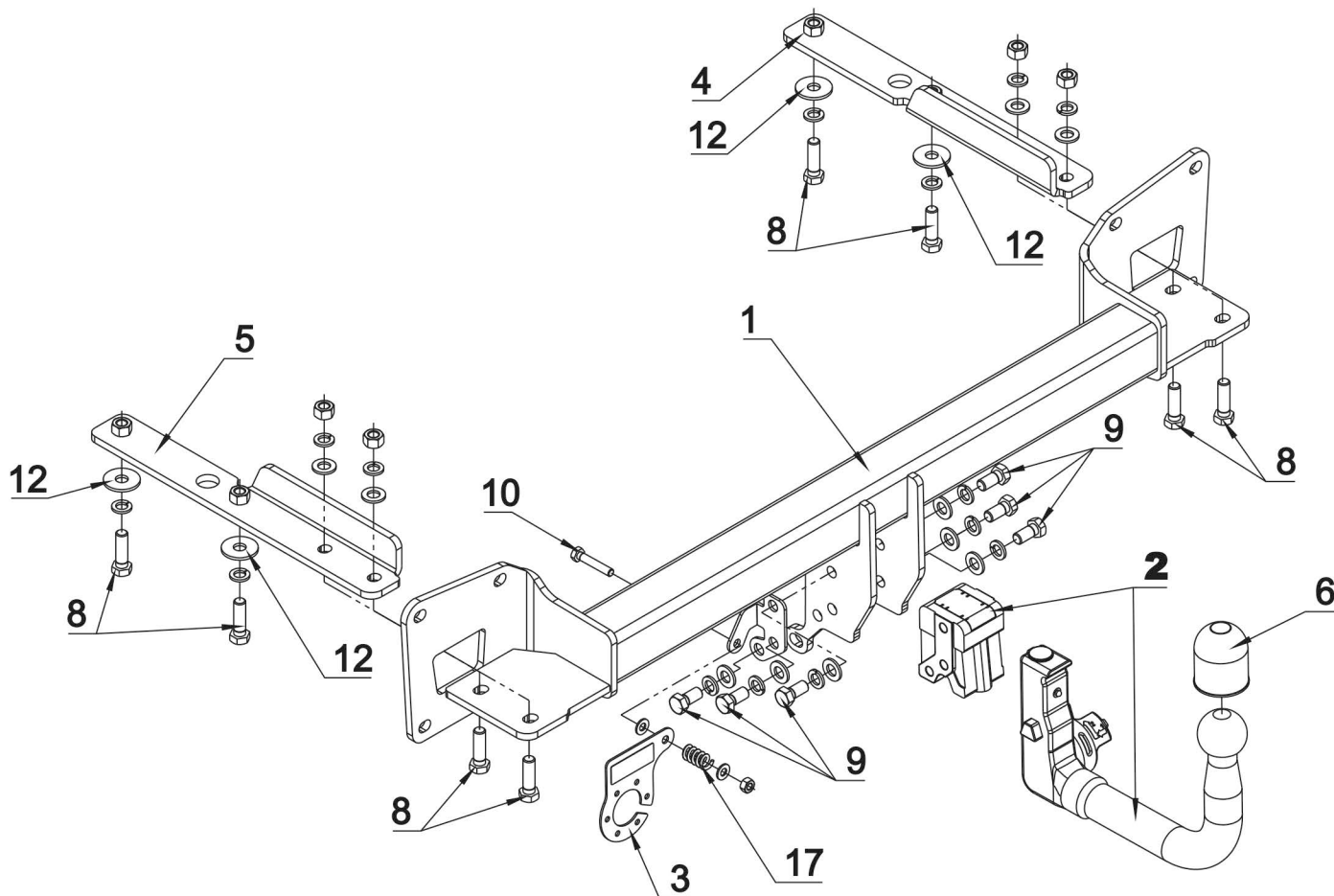
M8 - 20 Nm  
M12 - 70 Nm  
M16 - 170 Nm

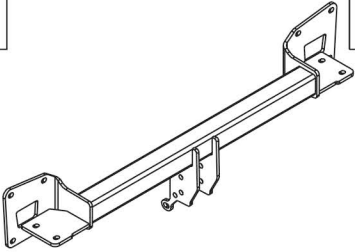

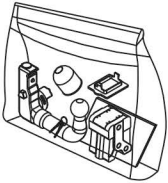



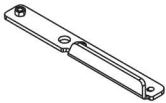

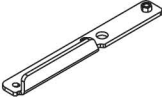
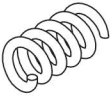




0 km

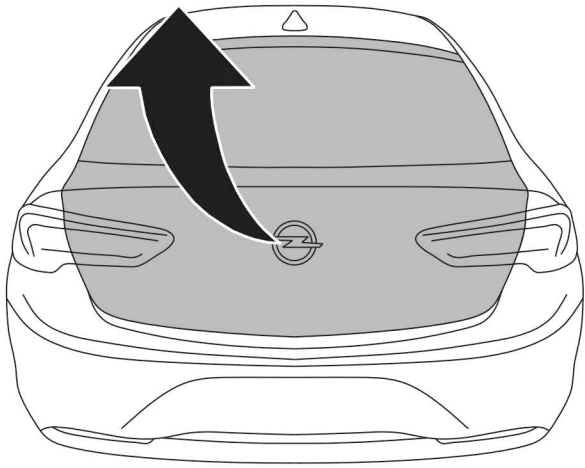


1000 km

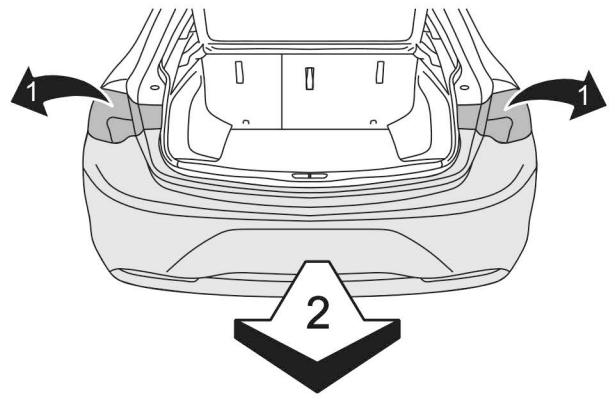


	x 1		8	M 12x40	x 8
			9	M 12x25	x 6
			10	M 8x45	x 1
			11	∅ 13	x 10
	x 1		12	∅ 37x∅13x3	x 4
			13	DIN 9021	
			13	∅ 8	x 2
	x 1		14	∅ 12.2	x 14
			15	M 12	x 4
	x 1		16	M 8	x 1
			17		
	x 1				x 1
	x 1				
	x 1				

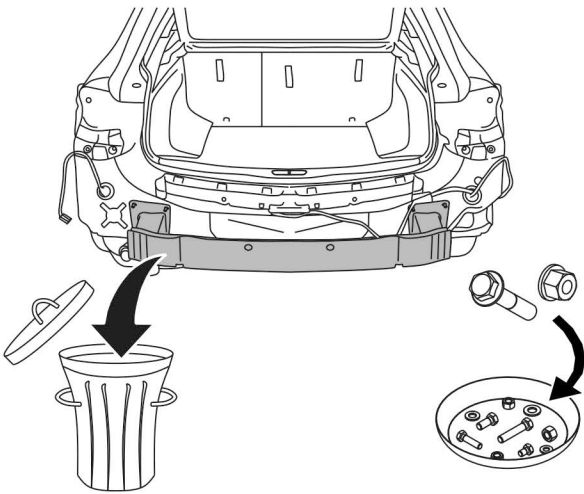
01



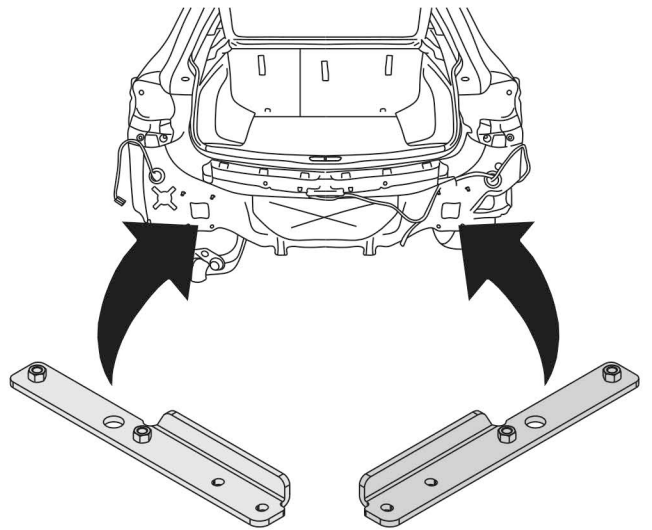
02



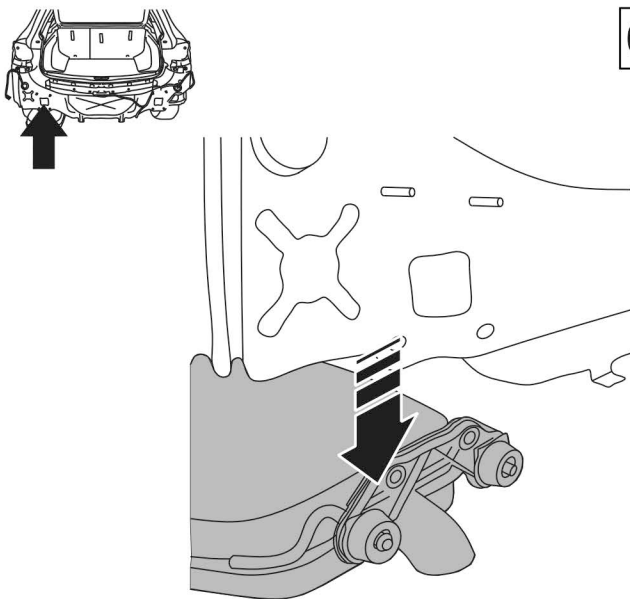
03



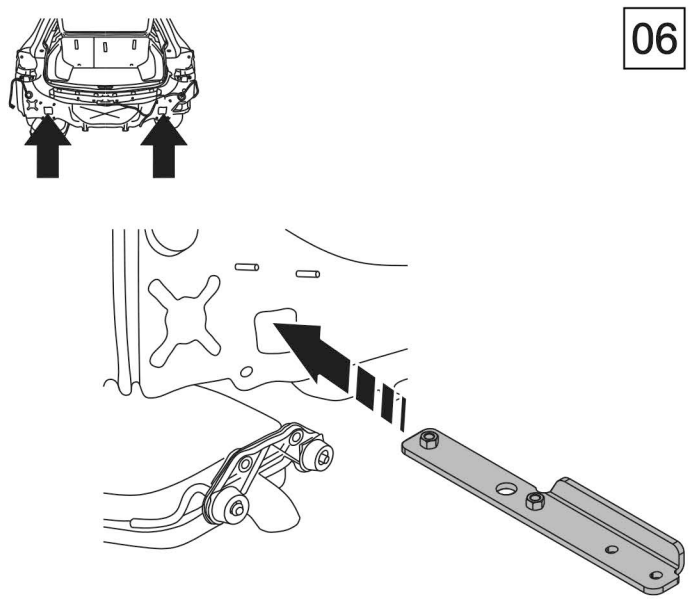
04



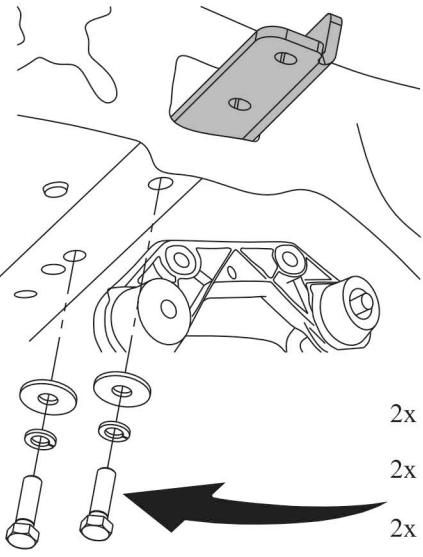
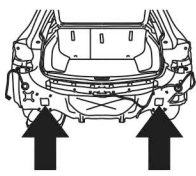
05






06

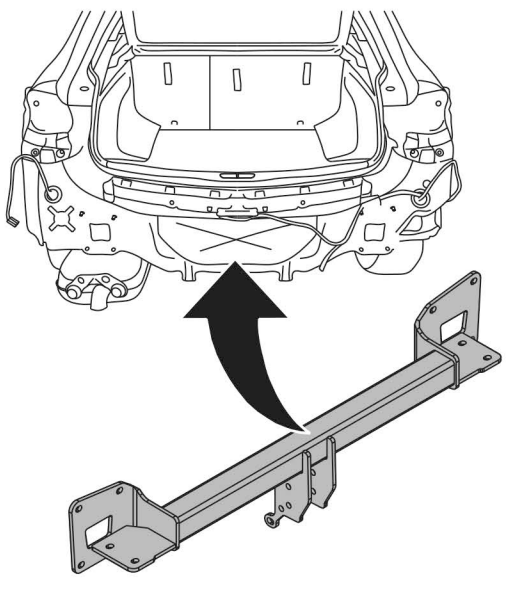


07

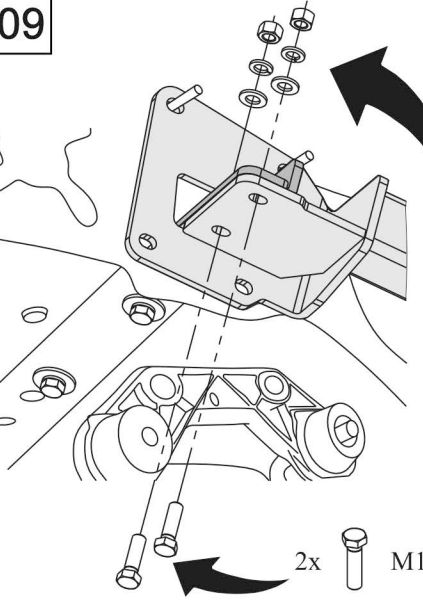
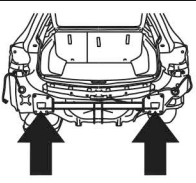


- 2x  M12x40mm
- 2x   $\varnothing 12,2\text{mm}$
- 2x   $\varnothing 37 \times \varnothing 13 \times 3\text{mm}$

08



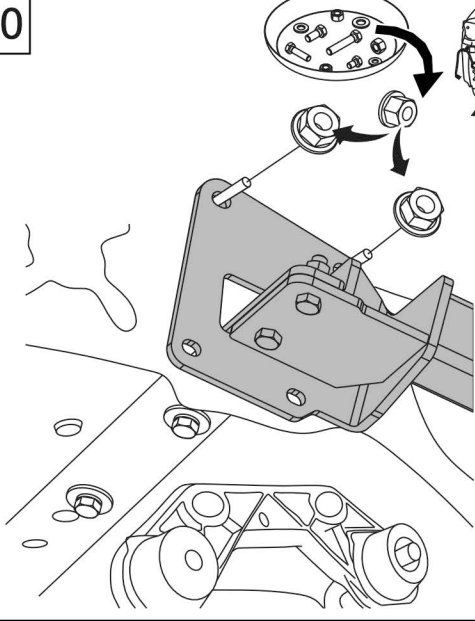
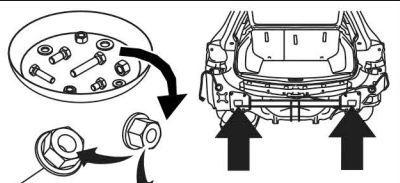
09



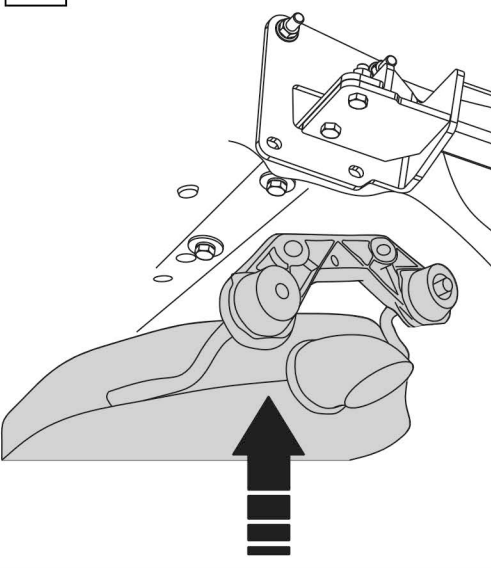
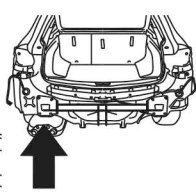
- 2x   $\varnothing 13\text{mm}$
- 2x   $\varnothing 12,2\text{mm}$
- 2x  M12

- 2x  M12x40mm

10



11



12

