


OPEL GRANDLAND X

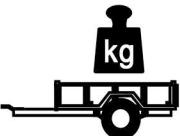
Cat. no:
E66V

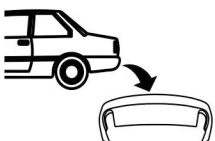
 2017 →

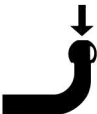
 E20-55R-01 5286

 2h

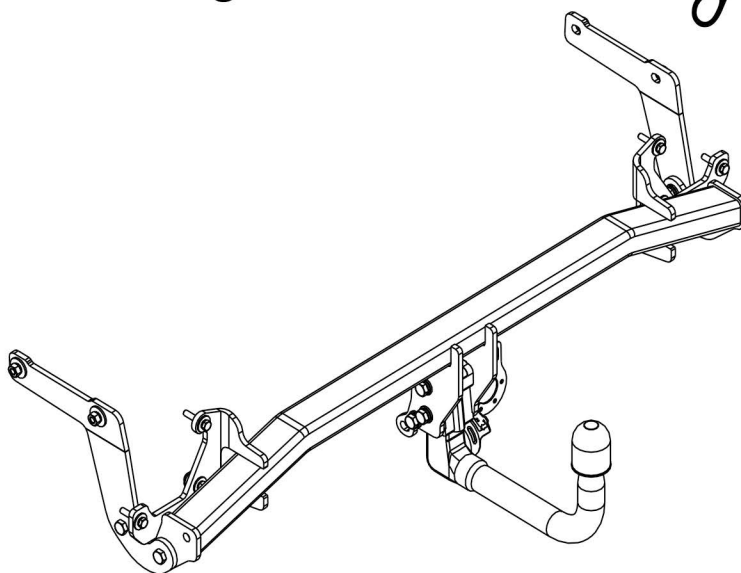
D 10,10 kN

 R=2000 kg





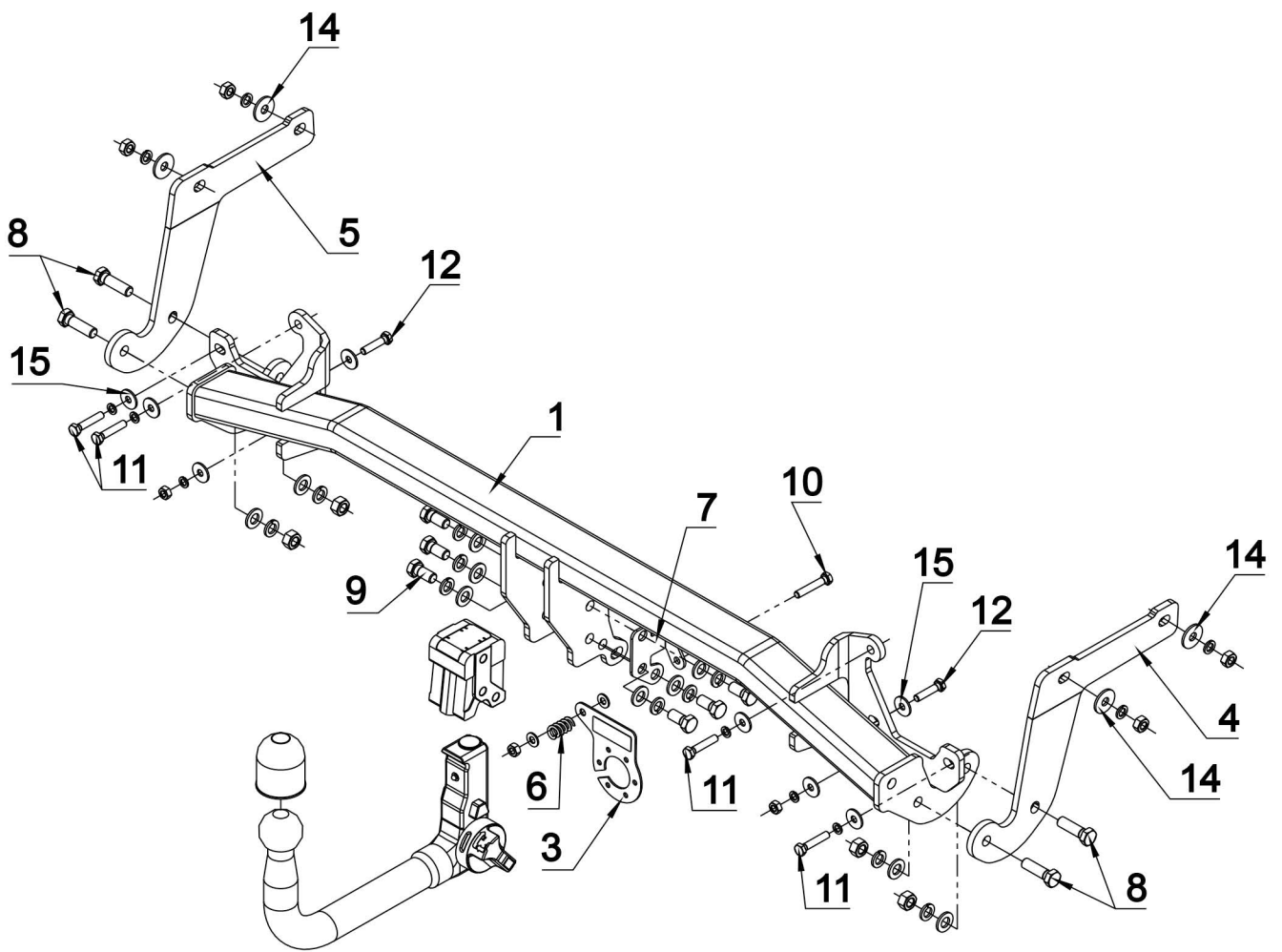
 S=100 kg

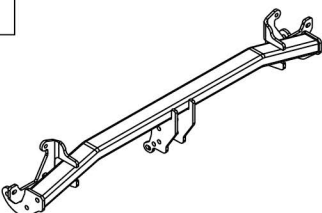







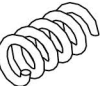






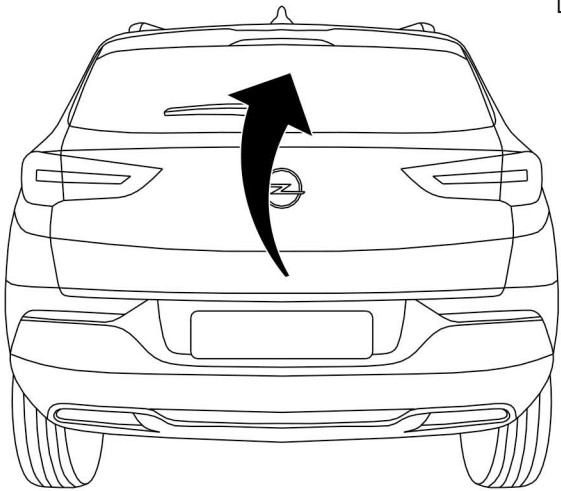
M6	-	8,5 Nm	M8	-	20 Nm
M10	-	41 Nm	M12	-	70 Nm
M14	-	112 Nm	M16	-	170 Nm

 0 km →  1000 km

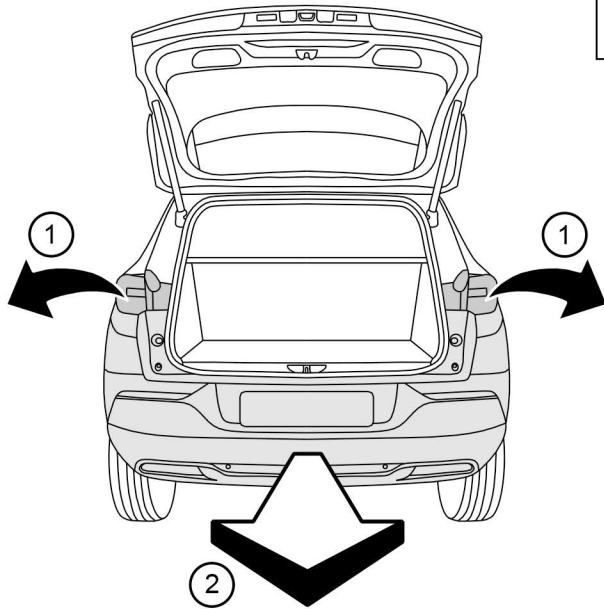


1		x1		8	M12x40	x4
2	 Art.nr-KL1E66V	x1		9	M12x25	x6
				10	M8x45	x1
3	 Art.nr-BL1E66V	x1		11	M8x40	x4
				12	M8x35	x2
4		x1		13	∅ 13	x10
				14	∅ 30x∅10.5x2.5 10 DIN 9021	x4
5		x1		15	∅ 24x∅8.4x2 8 DIN 9021	x8
				16	∅ 8.5	x2
6		x1		17	∅ 12.2	x10
				18	∅ 10.2	x4
7		x1		19	∅ 8.2	x6
				20	M12	x4
				21	M10	x4
				22	M8	x3

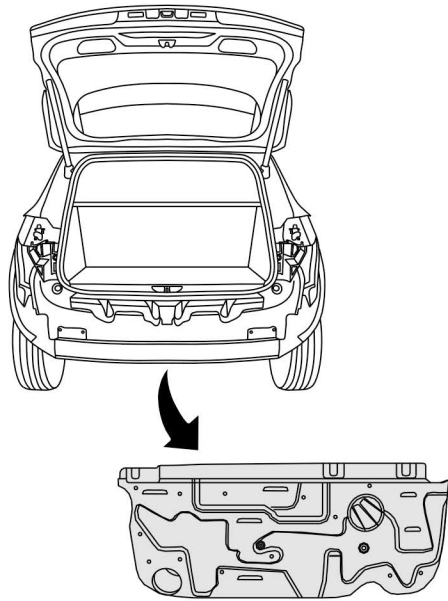
01



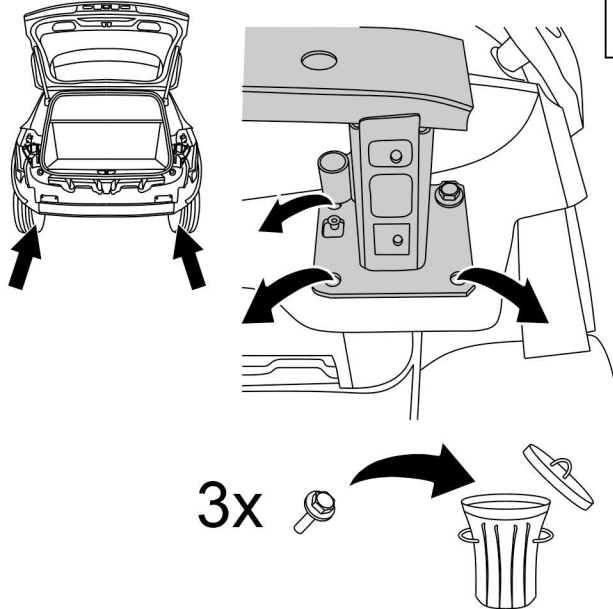
02



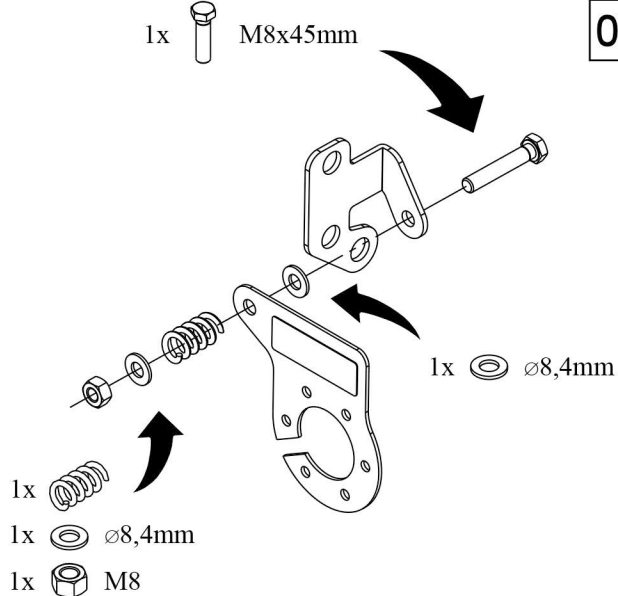
03



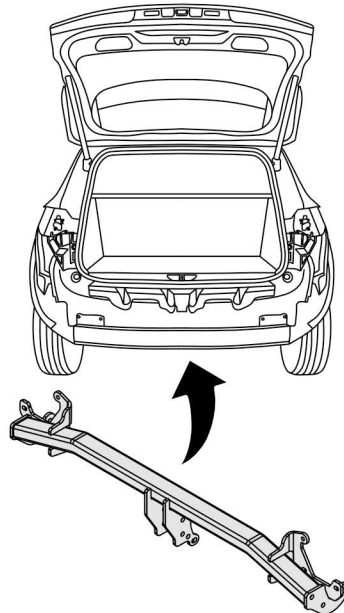
04



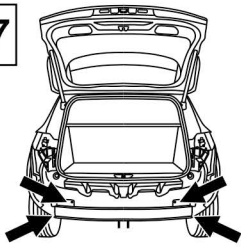
05






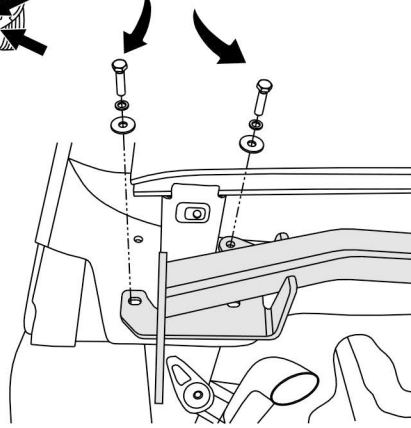
06



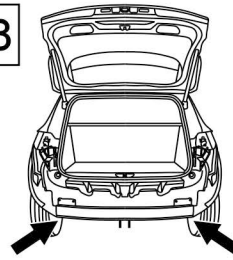
07








- 2x  M8x40mm
- 2x  $\varnothing 8.2\text{mm}$
- 2x  $\varnothing 24 \times \varnothing 8.4 \times 2\text{mm}$

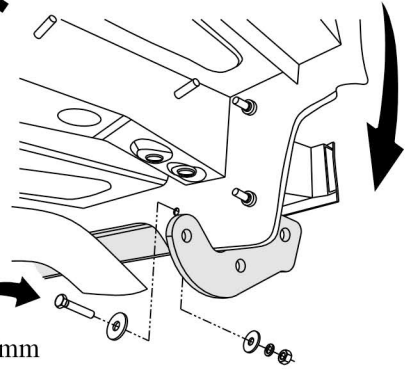


08

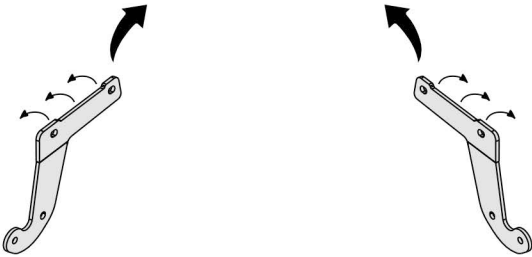
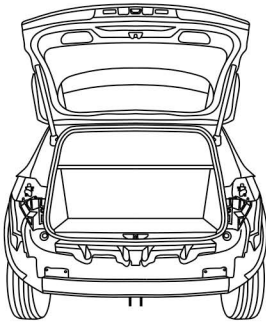


- 1x  $\varnothing 24 \times \varnothing 8.4 \times 2\text{mm}$
- 1x  $\varnothing 8.2\text{mm}$
- 1x  M8

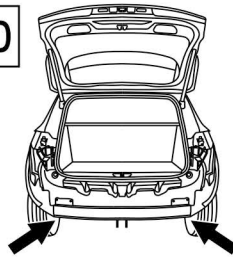
- 1x  M8x35mm
- 1x  $\varnothing 30 \times \varnothing 10.5 \times 2.5\text{mm}$






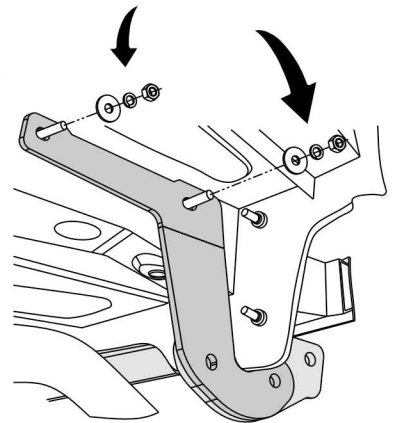
09



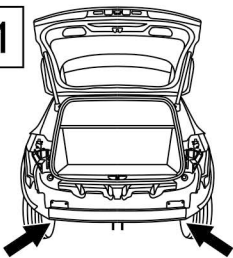
10







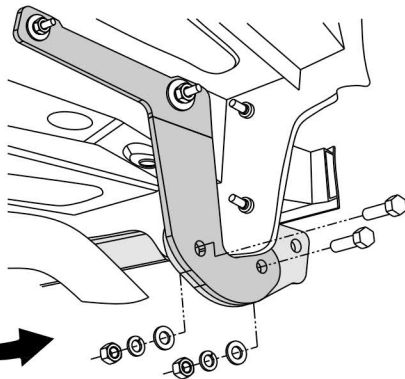
- 2x  $\varnothing 30 \times \varnothing 10.5 \times 2.5\text{mm}$
- 2x  $\varnothing 10.2\text{mm}$
- 2x  M10



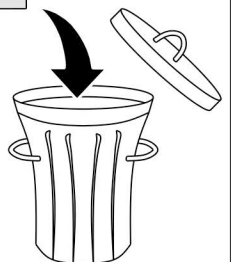
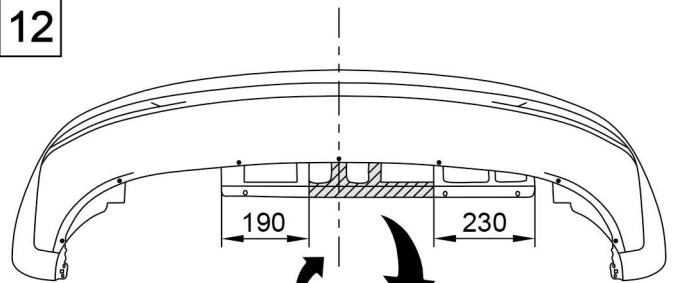
11



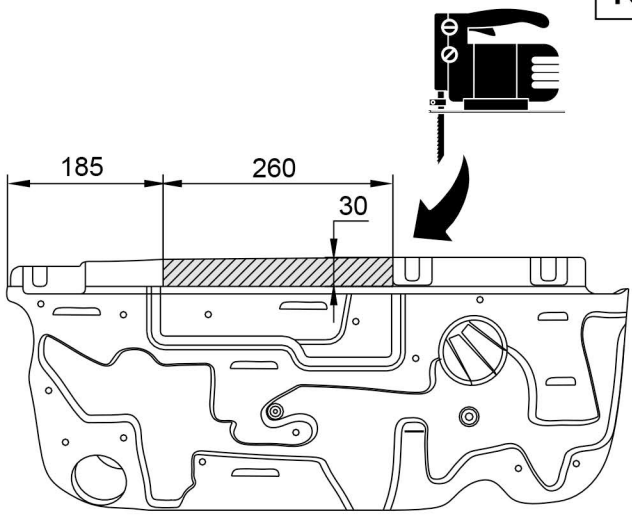
- 2x  M12x40mm
- 2x  $\varnothing 13\text{mm}$
- 2x  $\varnothing 12.2\text{mm}$
- 2x  M12



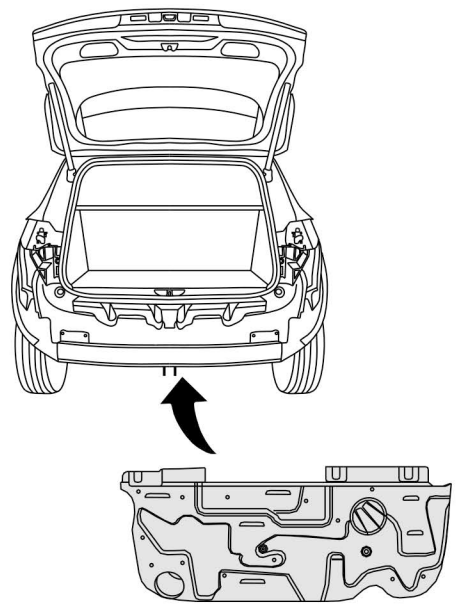
12



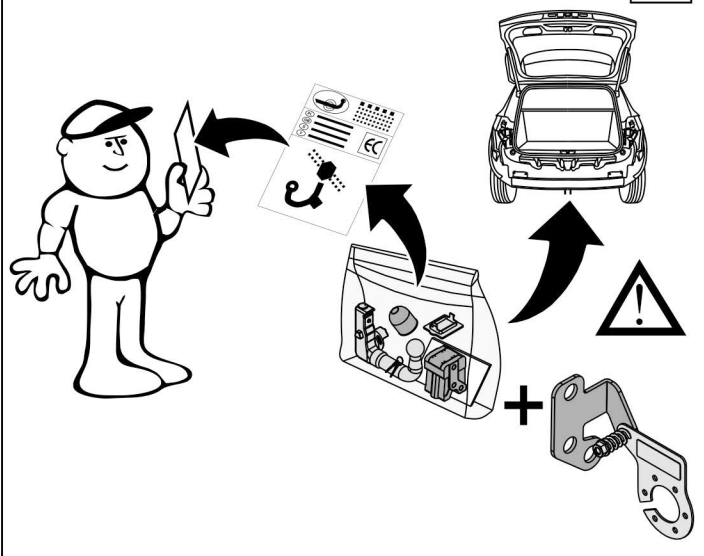
13



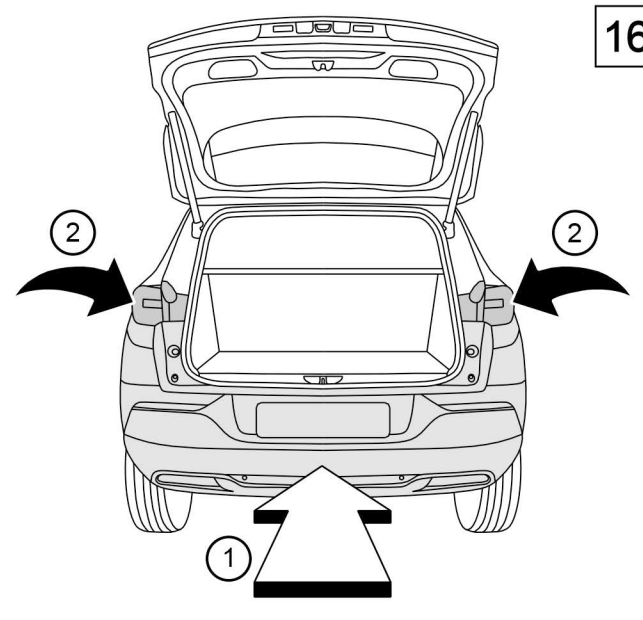
14



15



16



17

