

MINI COOPER COUNTRYMAN 5D, R60, SUV

Cat. no:
MC01V



2WD - 2010 → 2016
4WD - 2010 → 05.2014



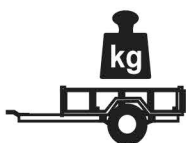
E20-55R-01 4750



2h



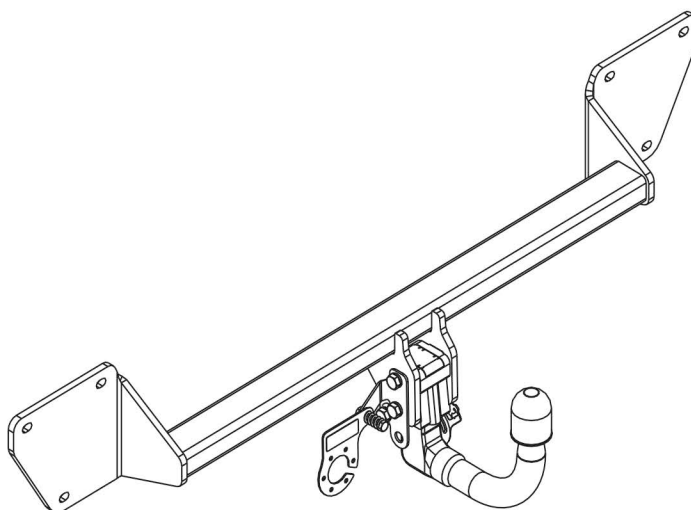
7,52 kN



R=1275 kg



S=75 kg



M6 - 8,5 Nm
M10 - 41 Nm
M14 - 112 Nm

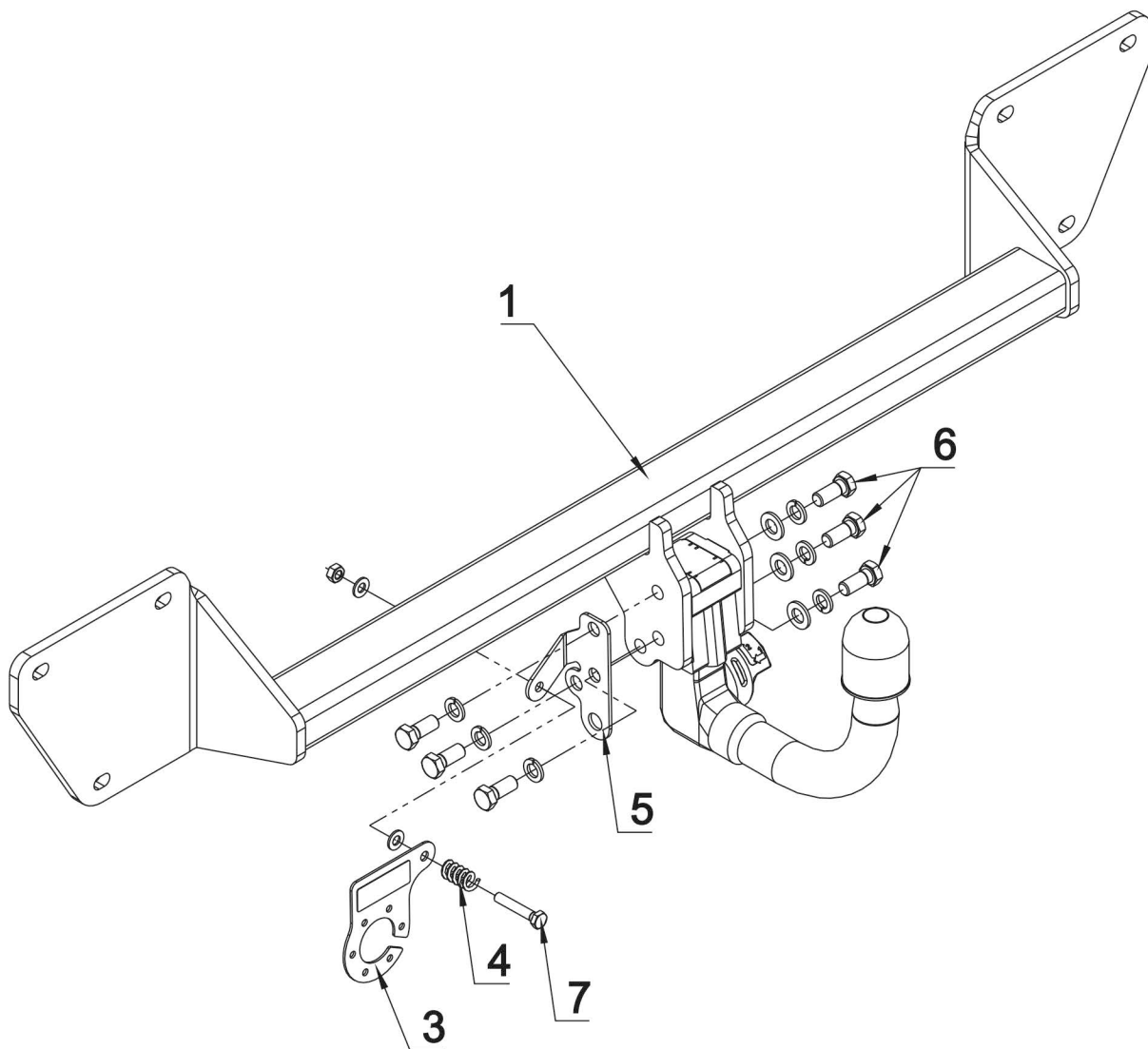
M8 - 20 Nm
M12 - 70 Nm
M16 - 170 Nm

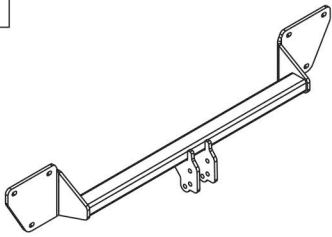





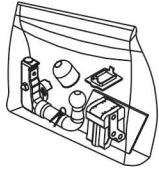






0 km

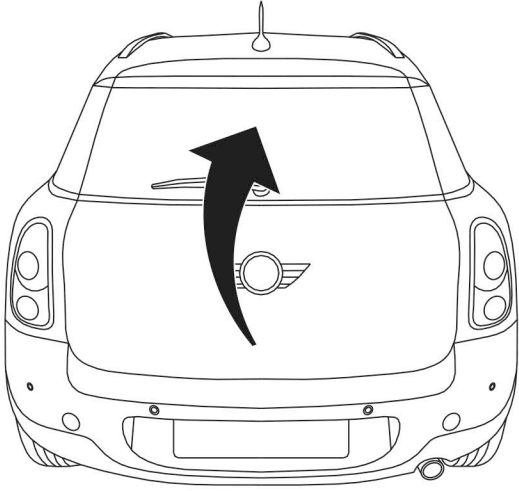


1000 km

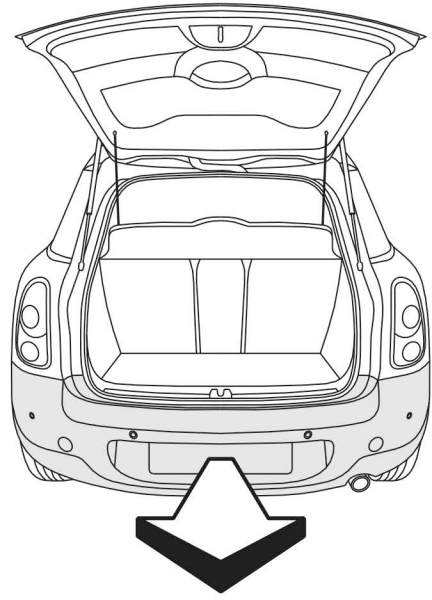


1 	x 1		6 M12x28	x 6
			7 M8x45	x 1
			8 \varnothing 13	x 3
			9 \varnothing 8.5	x 2
			10 \varnothing 12.2	x 6
2 	x 1		11 M8	x 1
Art.nr-KL1MC01V				
3 	x 1			
Art.nr-BL1MC01V				
4 	x 1			
5 	x 1			

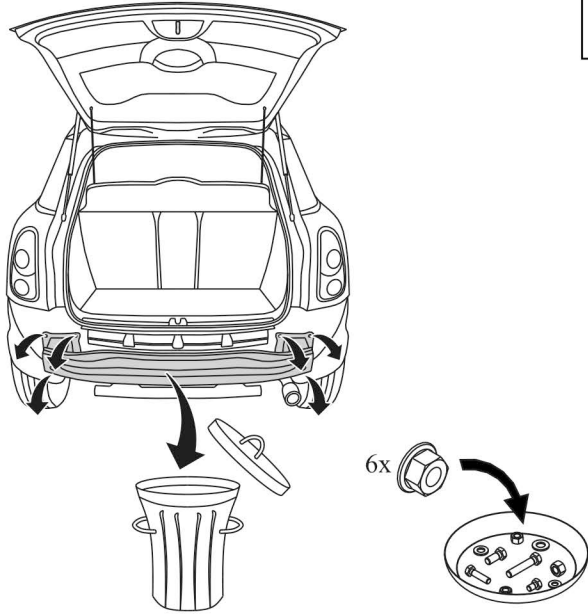
01



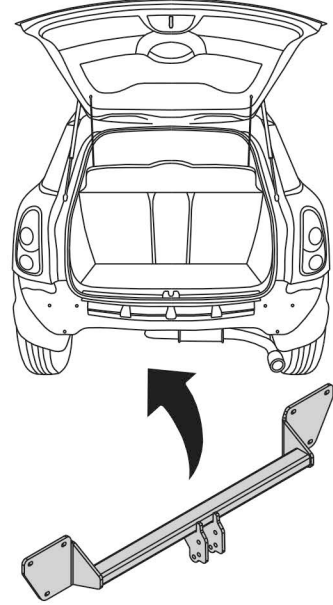
02



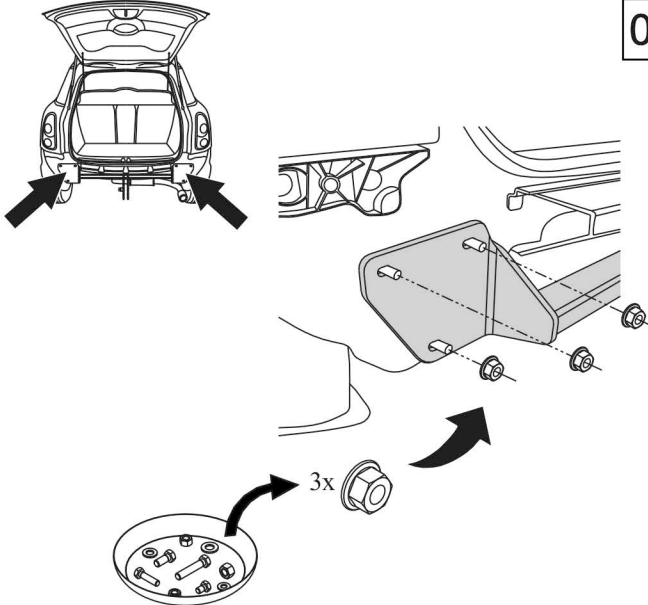
03



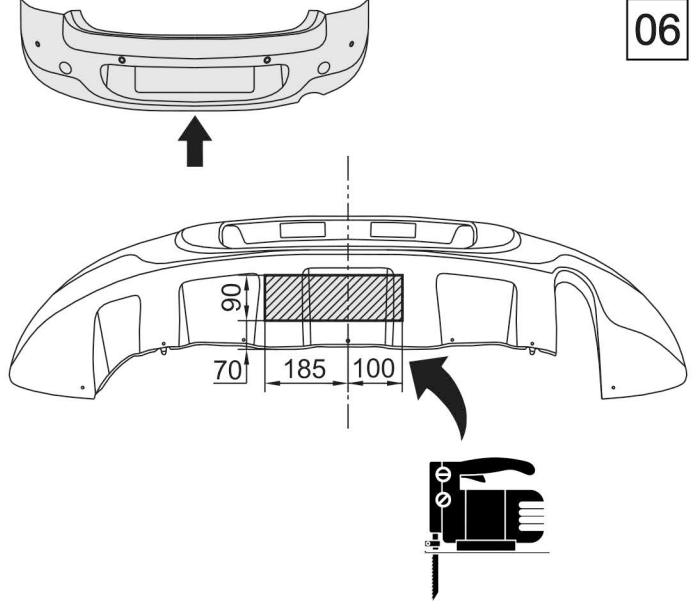
04



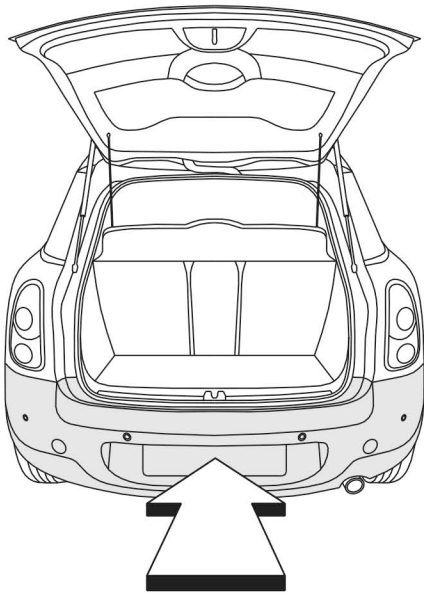
05



06



07



08



1x M8

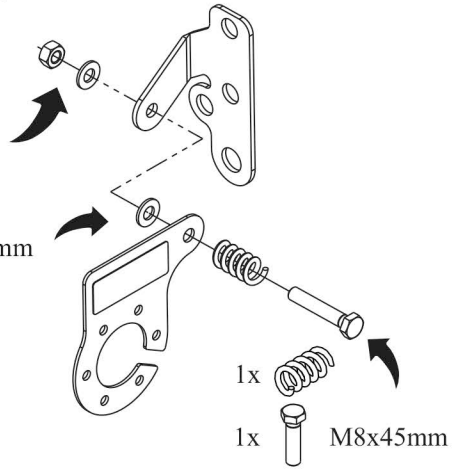
1x $\varnothing 8,4\text{mm}$

1x $\varnothing 8,4\text{mm}$

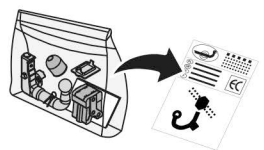
1x

1x

M8x45mm



09



6x M12x28mm

6x $\varnothing 12,2\text{mm}$

3x $\varnothing 13\text{mm}$

