

MINI COOPER COUNTRYMAN 5D, R60, SUV

Cat. no:

MC01A



2WD - 2010 → 2016

4WD - 2010 → 05.2014



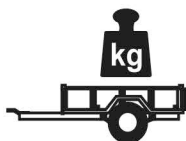
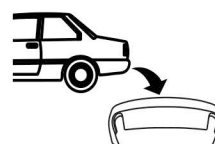
E20-55R-01 4749



2h

D

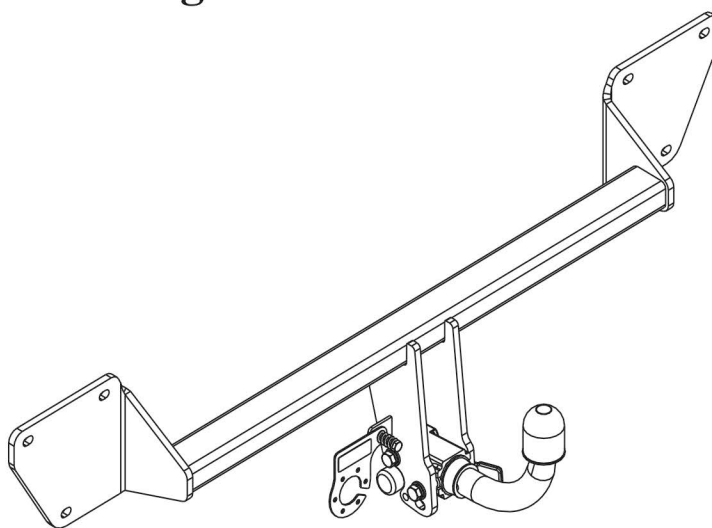
7,52 kN



R=1275 kg



S=75 kg



M6 - 8,5 Nm
M10 - 41 Nm
M14 - 112 Nm

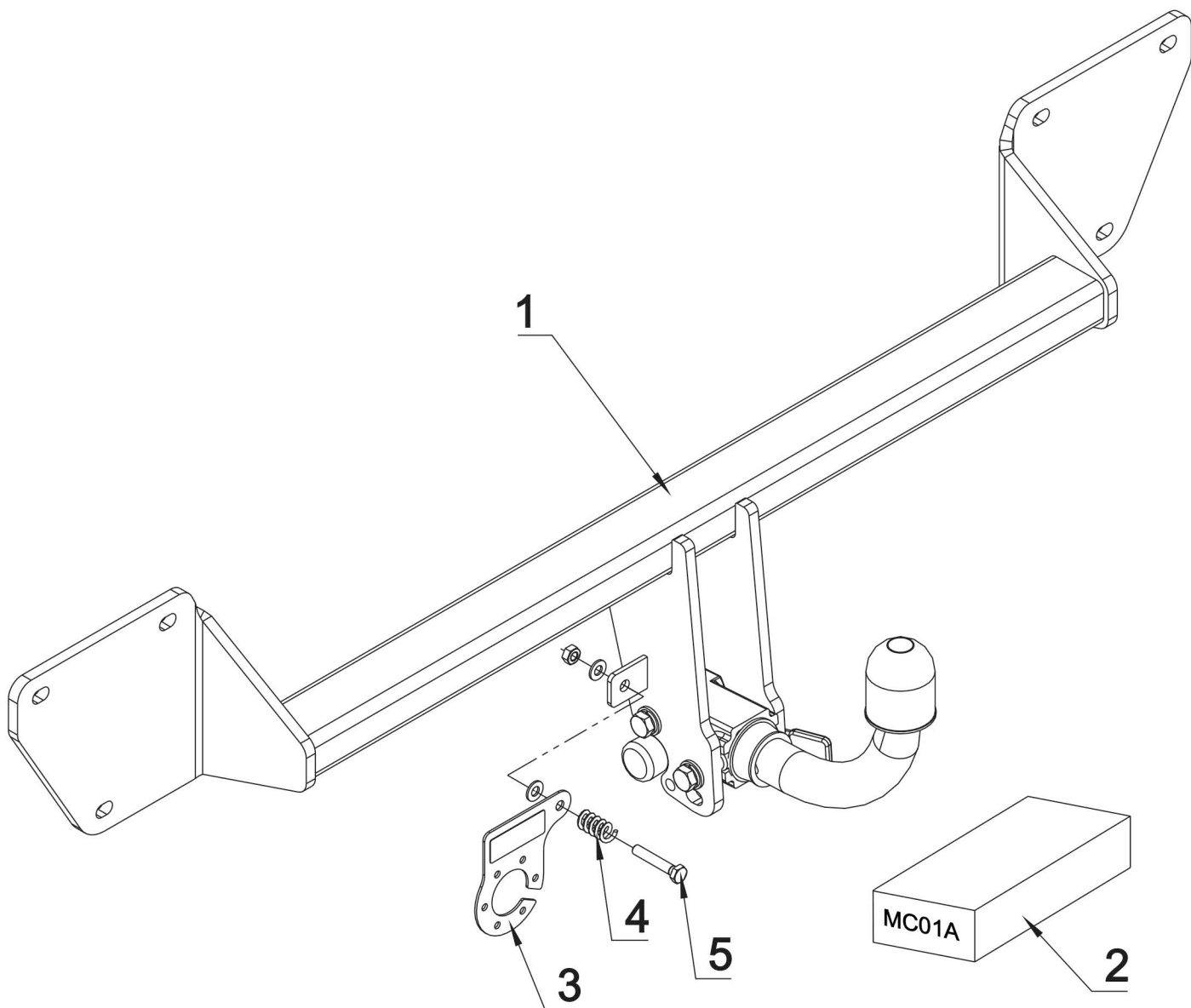
M8 - 20 Nm
M12 - 70 Nm
M16 - 170 Nm

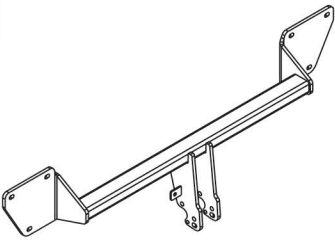



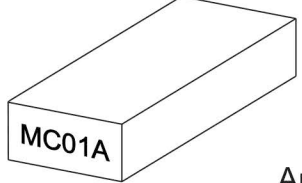




0 km

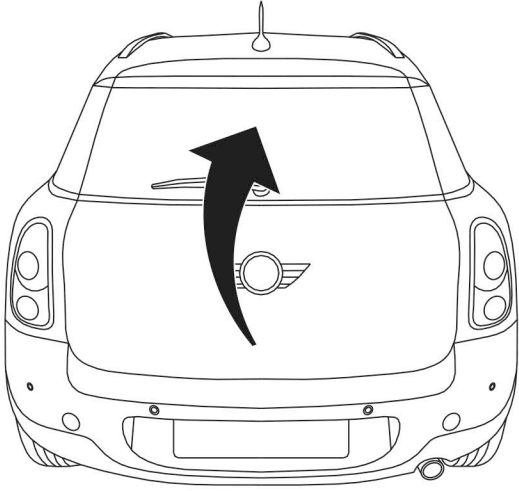


1000 km

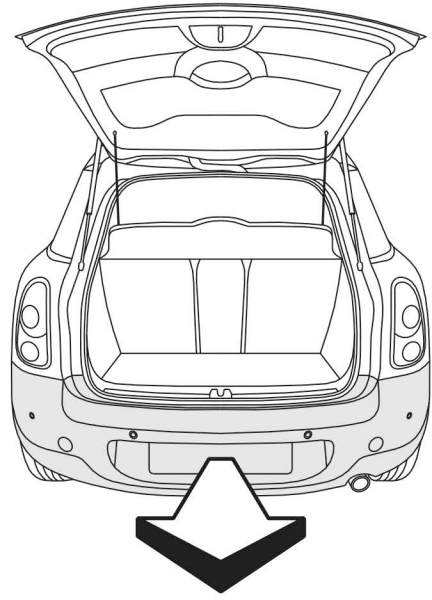


1		x 1		5 M 8x45	x 1
				6 ϕ 8.5	x 2
				7 M 8	x 1
2		x 1			
3		x 1			
4		x 1			

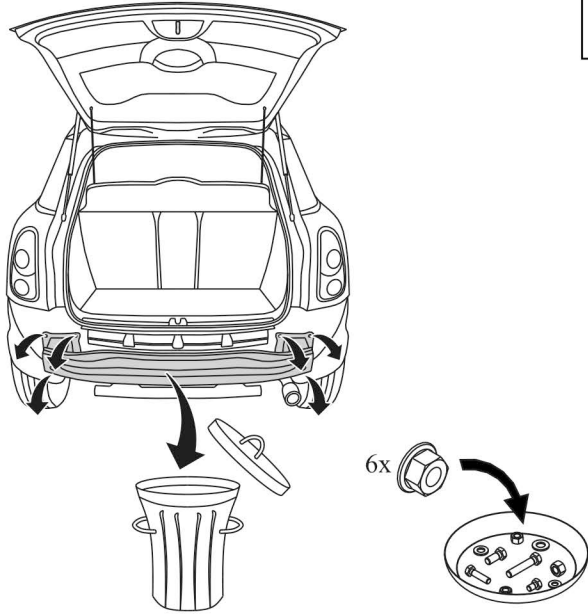
01



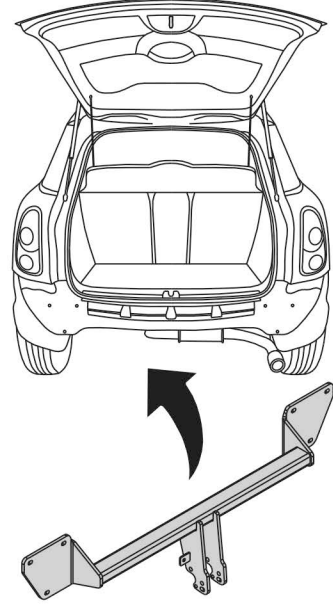
02



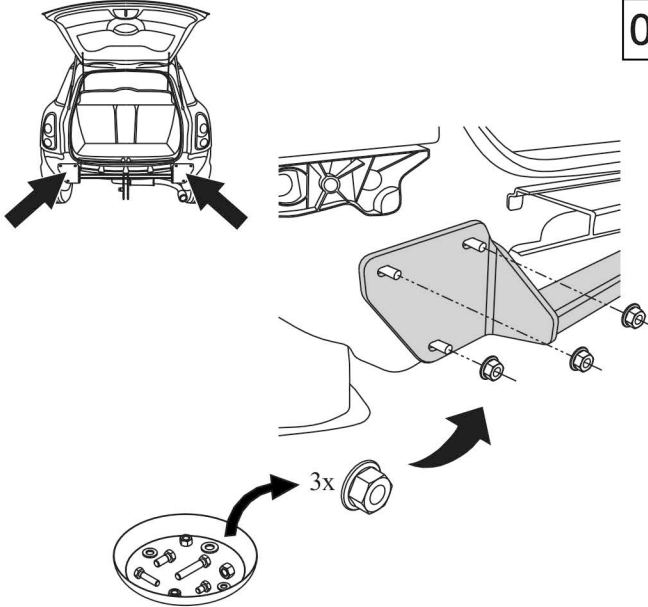
03



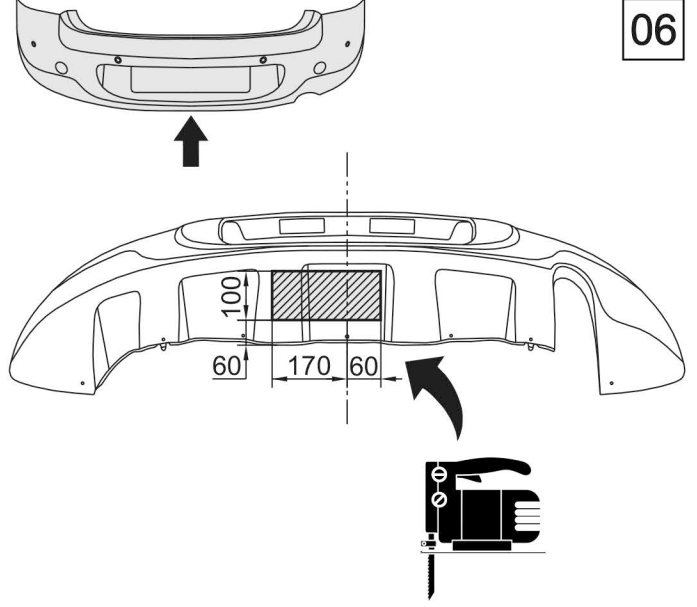
04



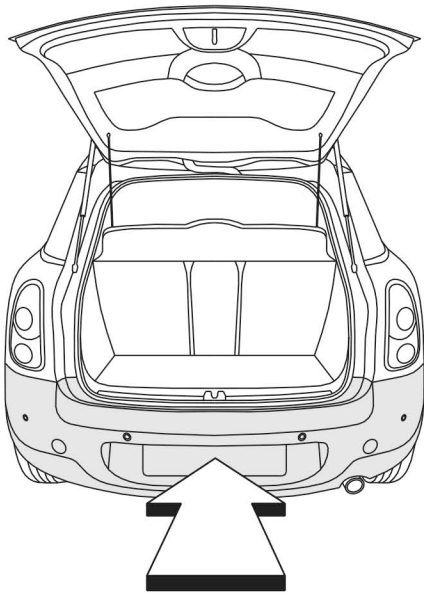
05



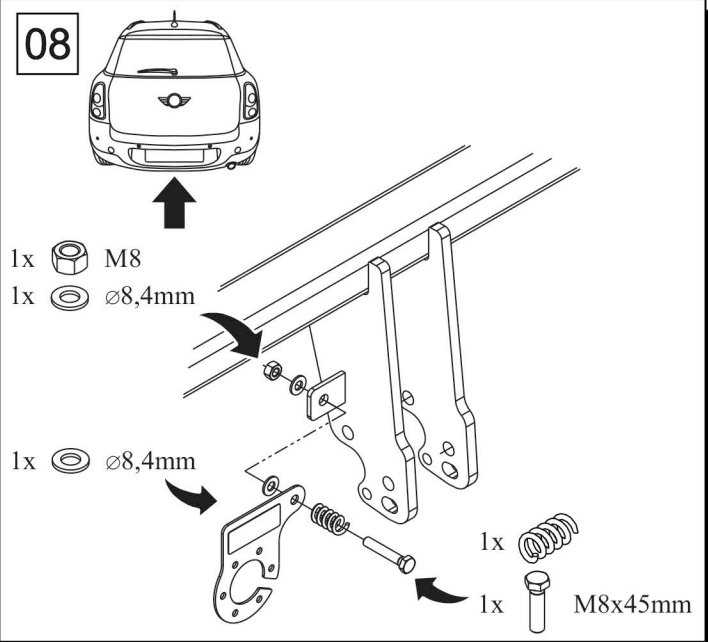
06



07



08



09

