

MERCEDES klasa E
kombi (S212), 4-MATIC
~~AMG~~

Cat. no:

D42A



11.2009 →

e20

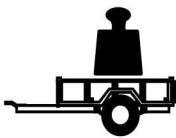
e20*94/20*1630*00



2h

D

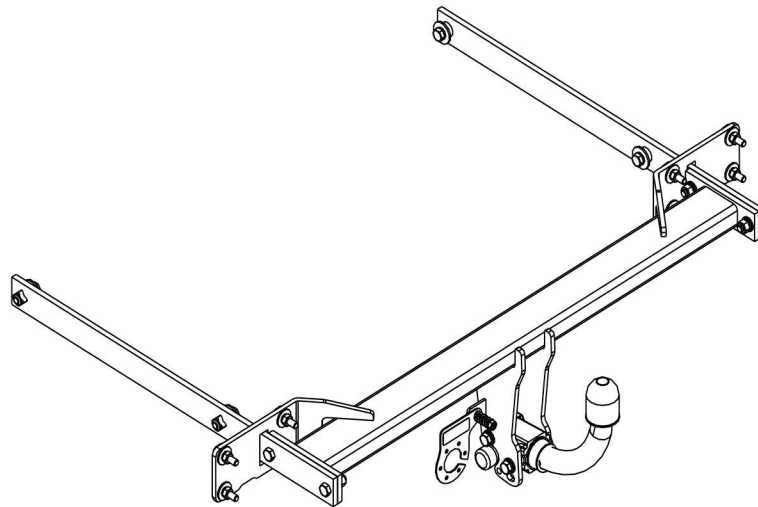
11,64 kN



R=2100 kg



S=88 kg



M6 - 11 Nm
M10 - 50 Nm
M14 - 138 Nm

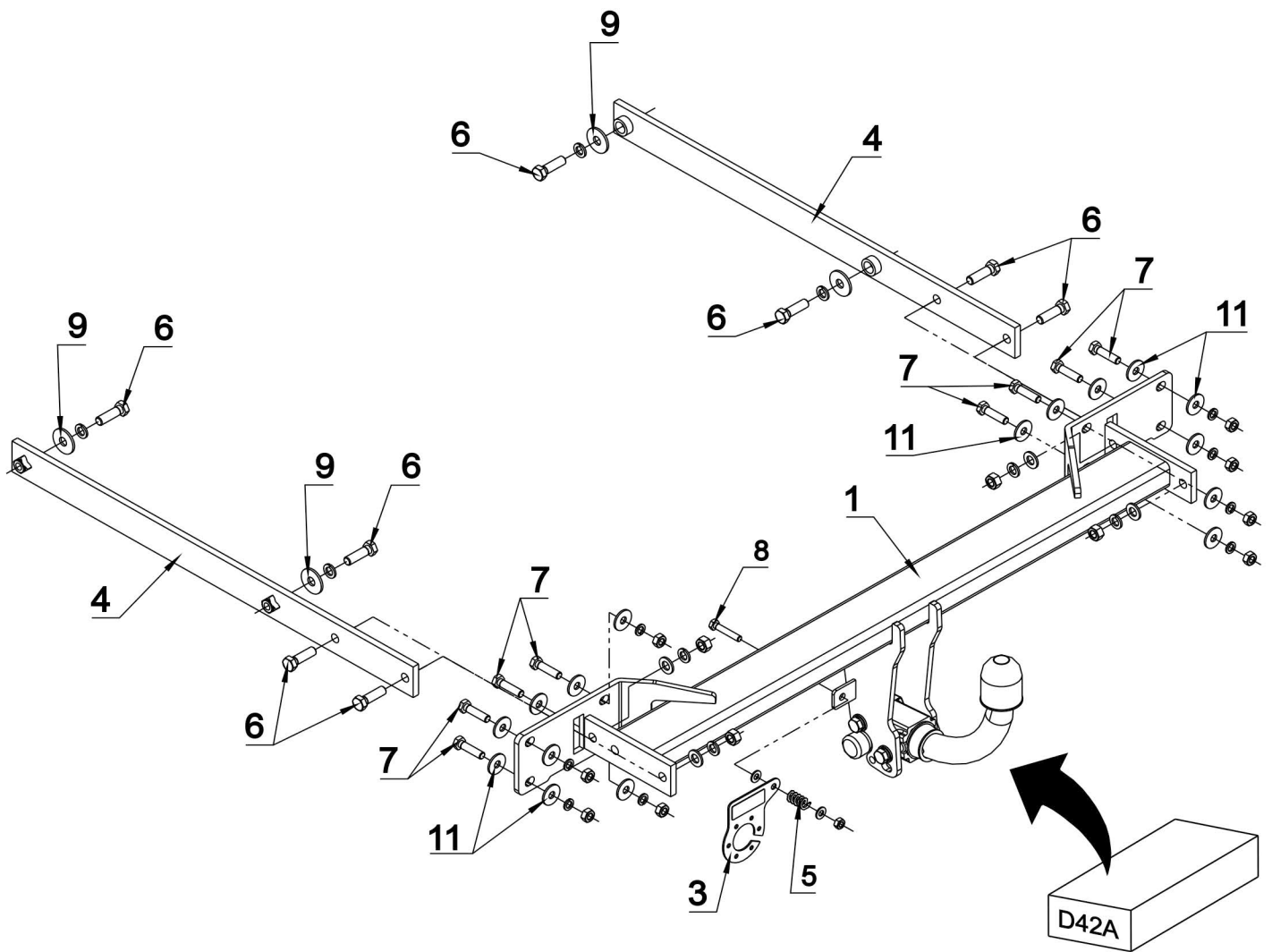
M8 - 25 Nm
M12 - 87 Nm
M16 - 210 Nm

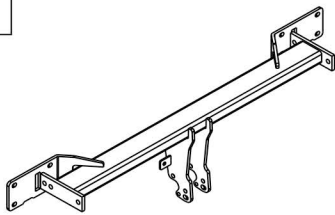

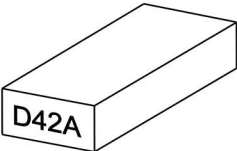



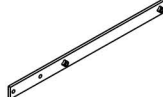


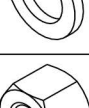



0 km

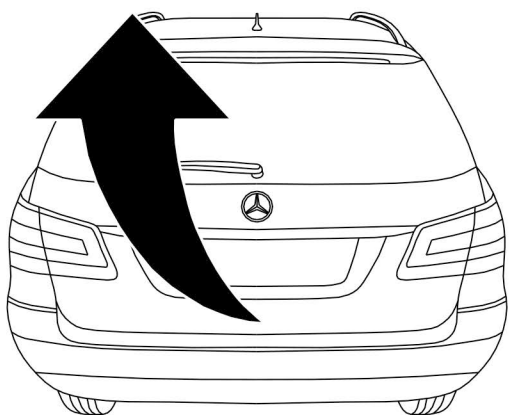


1000 km

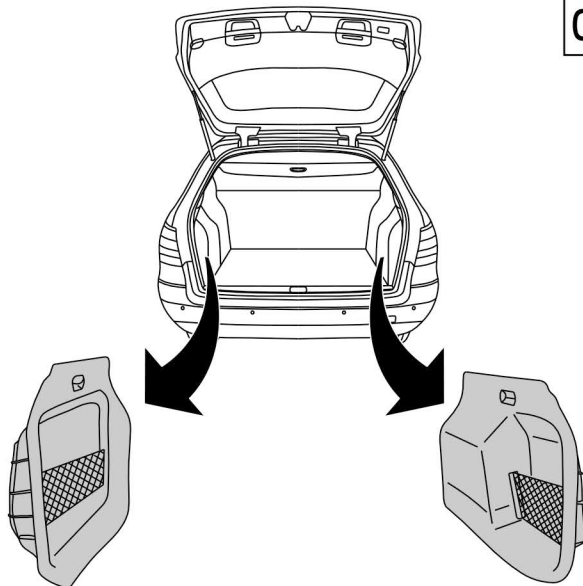


1		x1		6	M12x40	x8
				7	M10x40	x8
2		x1		8	M8x45	x1
				9	\varnothing 37x \varnothing 13x3 13 (DIN 9021)	x4
3		x1		10	\varnothing 13	x4
				11	\varnothing 30x \varnothing 10.5x2.5 10 (DIN 9021)	x16
4		x2		12	\varnothing 8.4	x2
				13	\varnothing 12.2	x8
5		x1		14	\varnothing 10.2	x8
				15	M12	x4
				16	M10	x8
				17	M8	x1

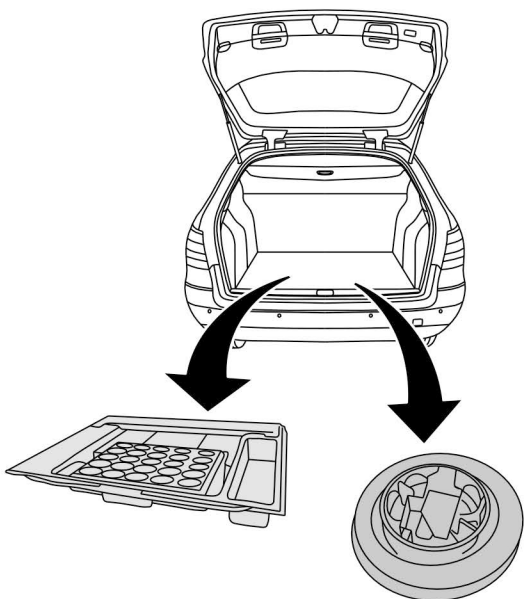
01



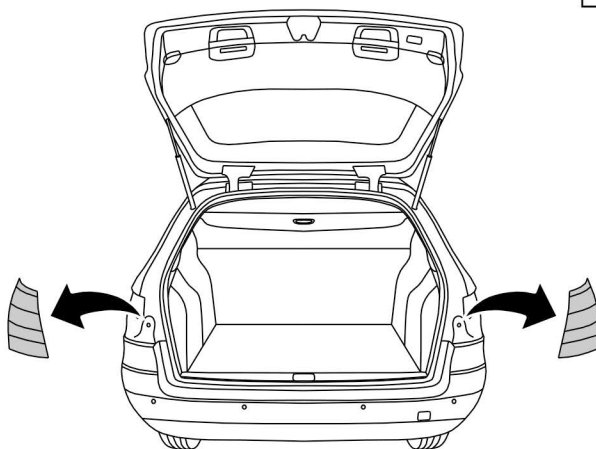
02



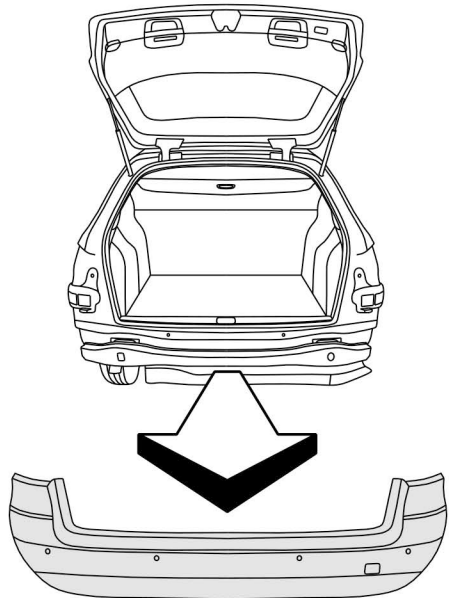
03



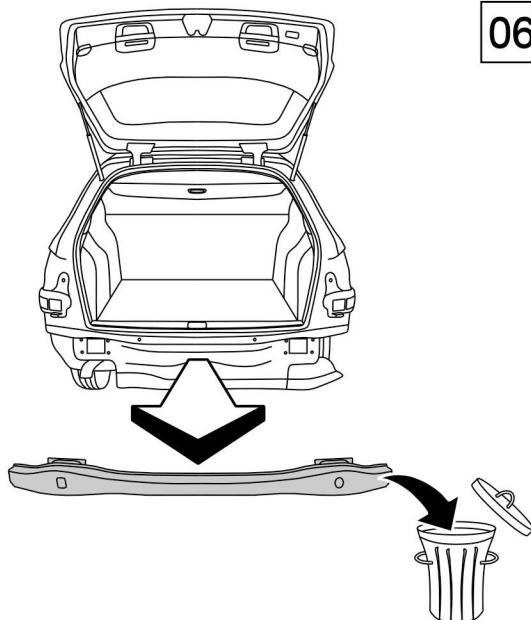
04



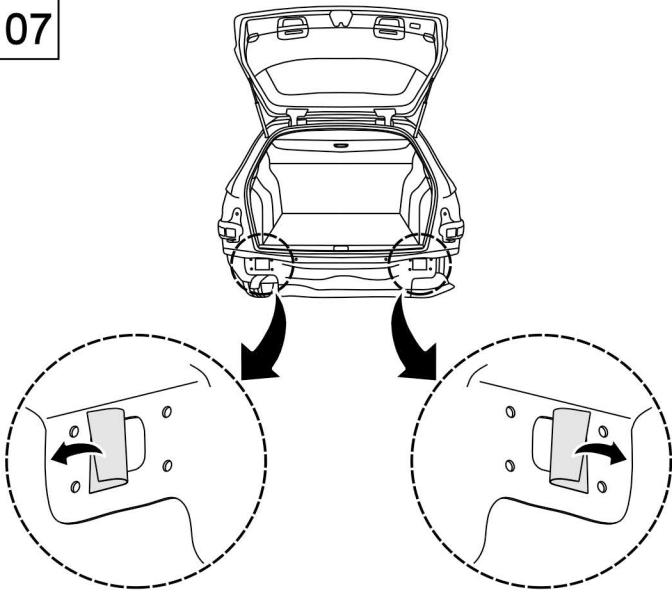
05



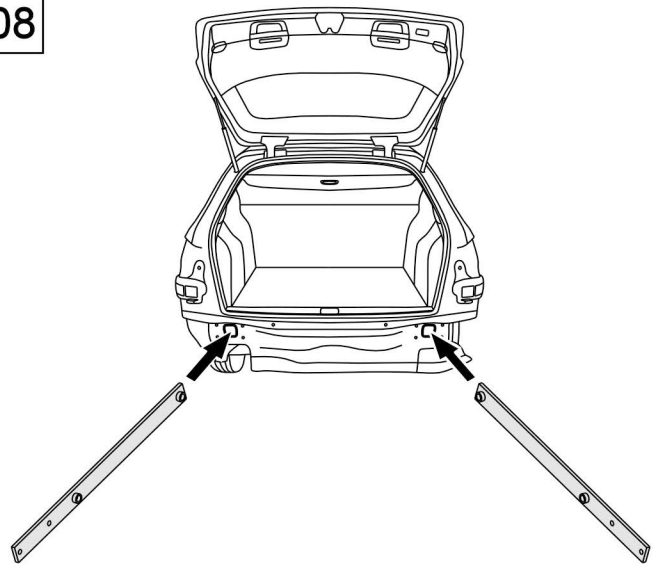
06



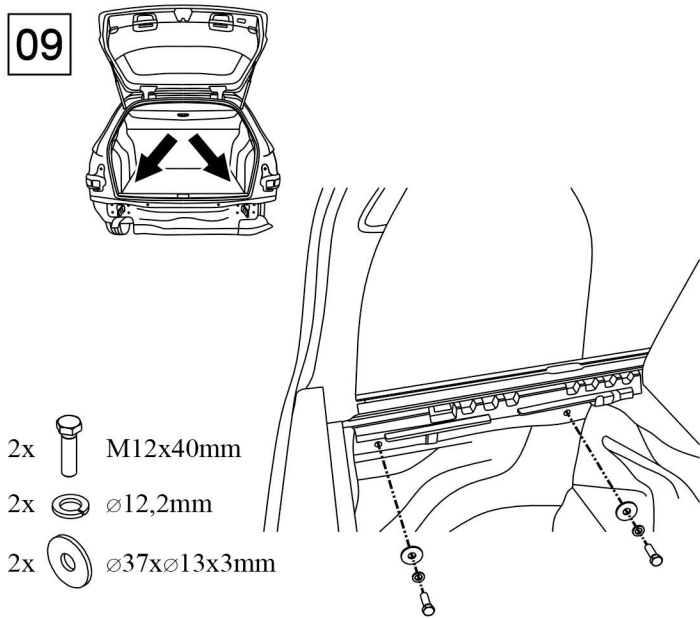
07



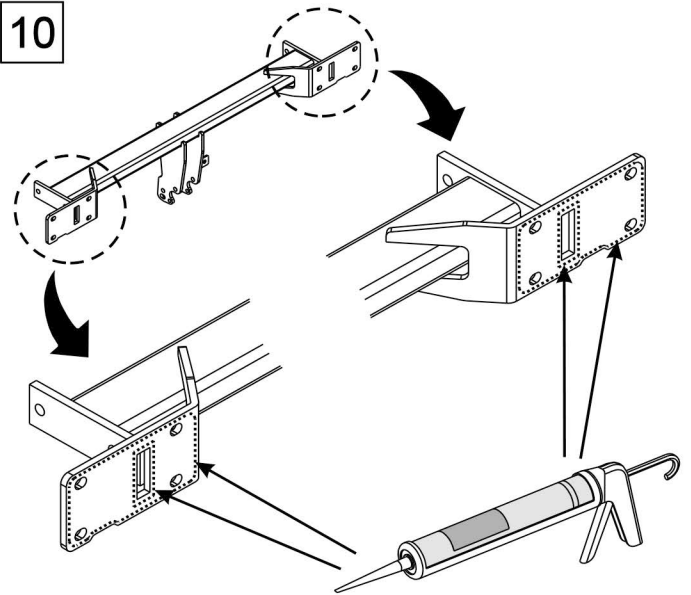
08



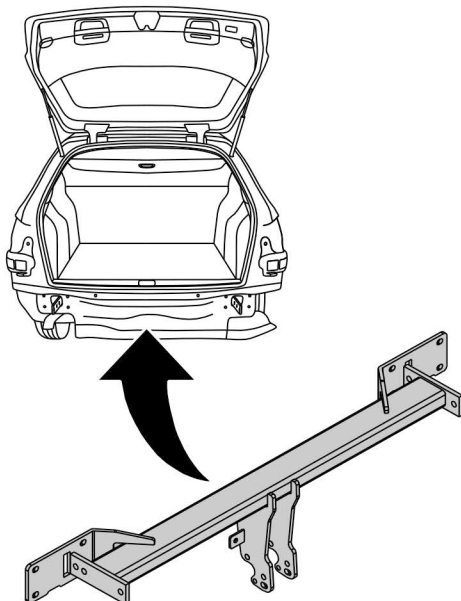
09



10



11



12

