

# SIENA

Art. 668 - 668/3 - 668/4

Art. 669 - 669/3

THE REAR CYCLE RACK FOR MOUNTING ON TOW BAR  
HINTERRADFAHRRADTRÄGER ZUR MONTAGE AUF DER ANHÄNGERKUPPLUNG  
PORTE VELOS ARRIERE POUR DISPOSITIF D'ATTelage  
PORTABICI POSTERIORE GANCIO DI TRAINO  
PORTA BICICLETA PARA APLICAR A LA BOLA DE REMOLQUE  
BAGAŻNIK ROWEROWY NA HAK HOLOWNICZY  
ZADNI NOSIČ JÍZDNÍCH KOL PRO MONTÁŽ NA TAŽNÉ ZAŘÍZENÍ  
NOSILEC KOLES NA VLEČNI KLJUKI  
PORTACICLO TRASEIRO PARA O GANCHO DE TRACÇÃO  
FIETSENHOUDER VOOR ACHTERAAN OP TREKHAAK

- GB Fitting instructions
- D Montageanleitung
- F Instructions de montage
- I Istruzioni per il montaggio
- E Instrucciones de montaje
- PL Instrukcja montażu
- CZ Návod na montáž
- SLO Navodila za montažo
- PT Instruções para a montagem
- NL Instructies voor montage

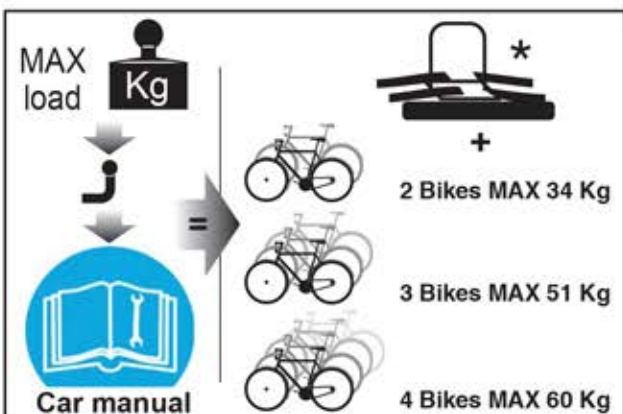
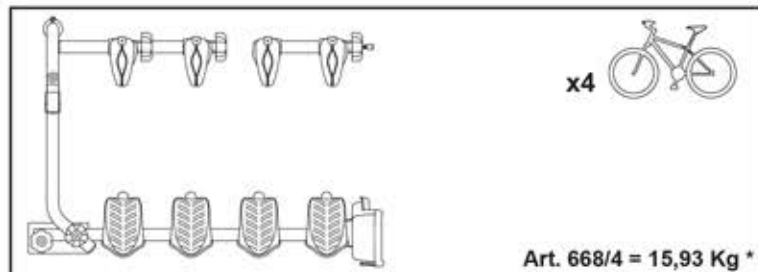
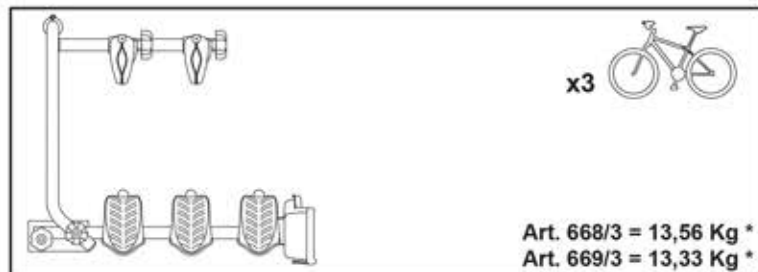
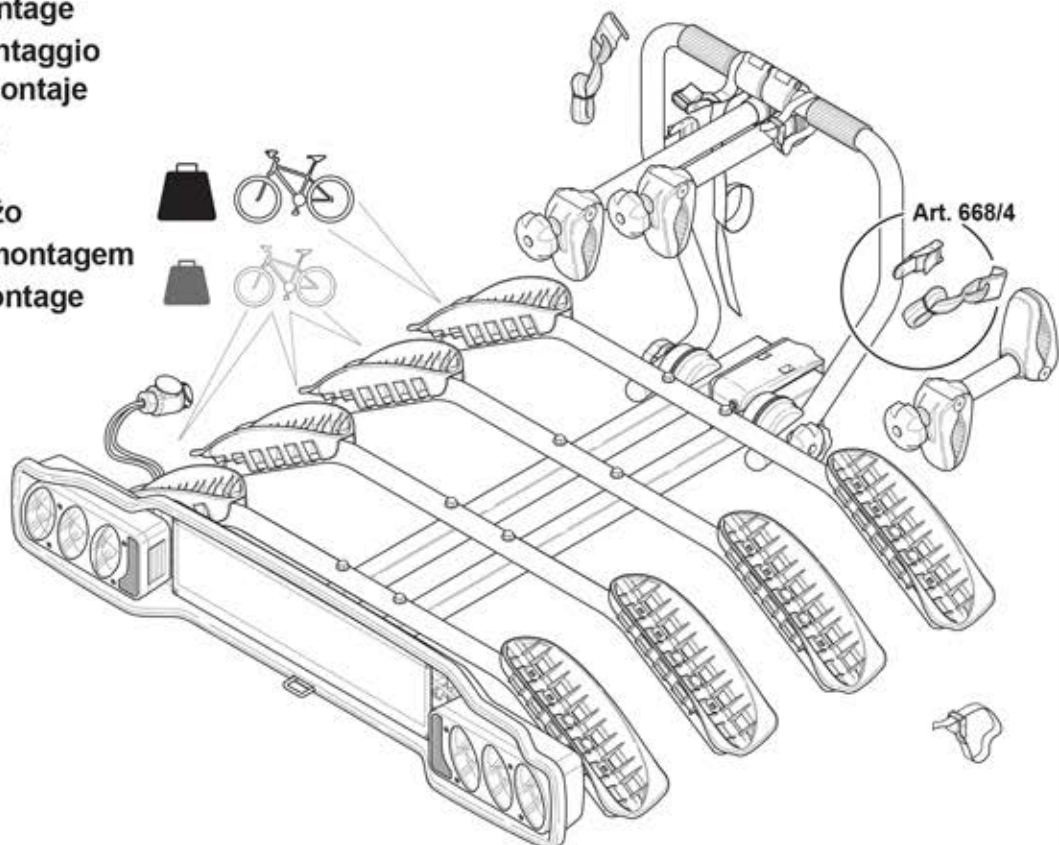




Fig. A

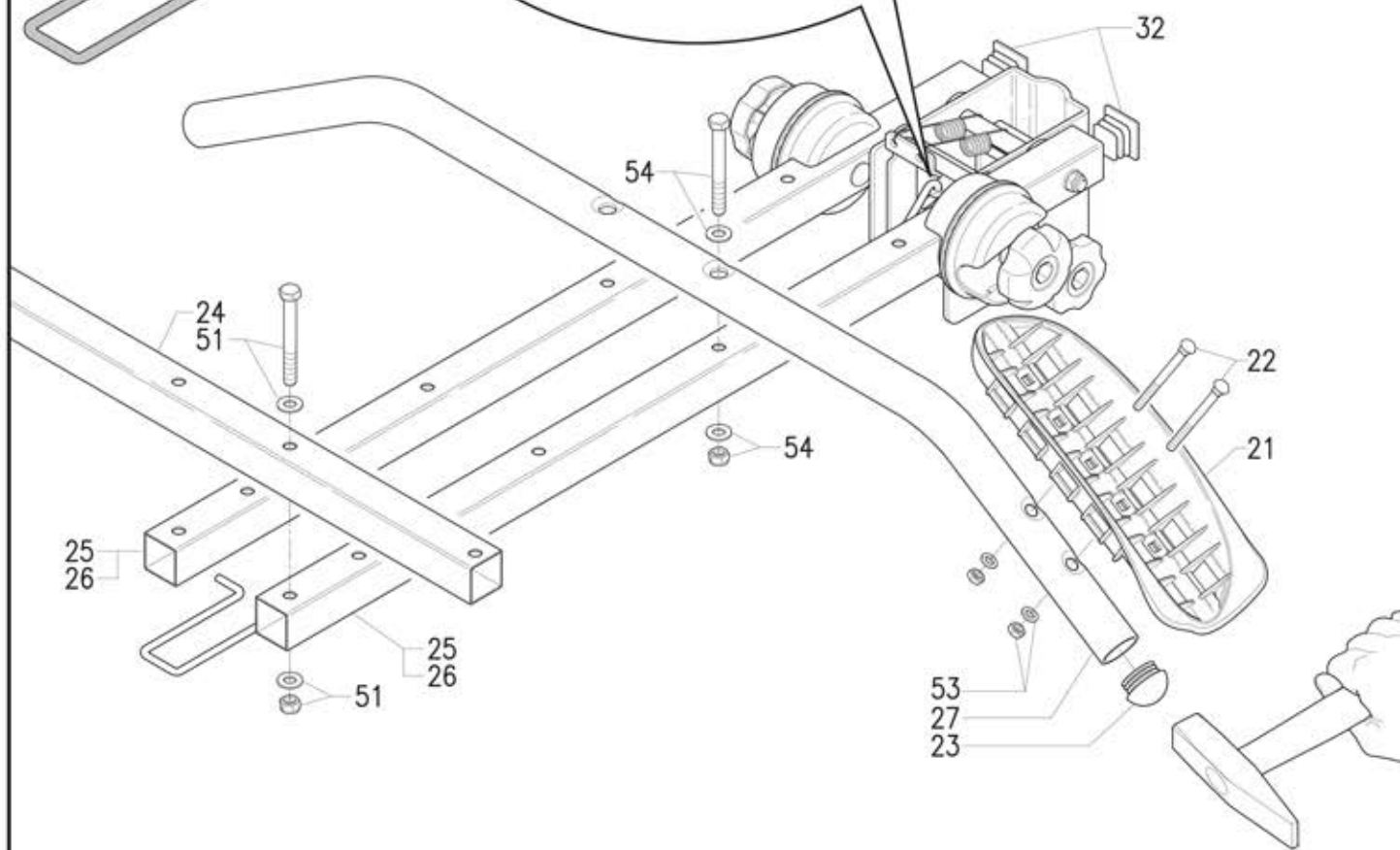
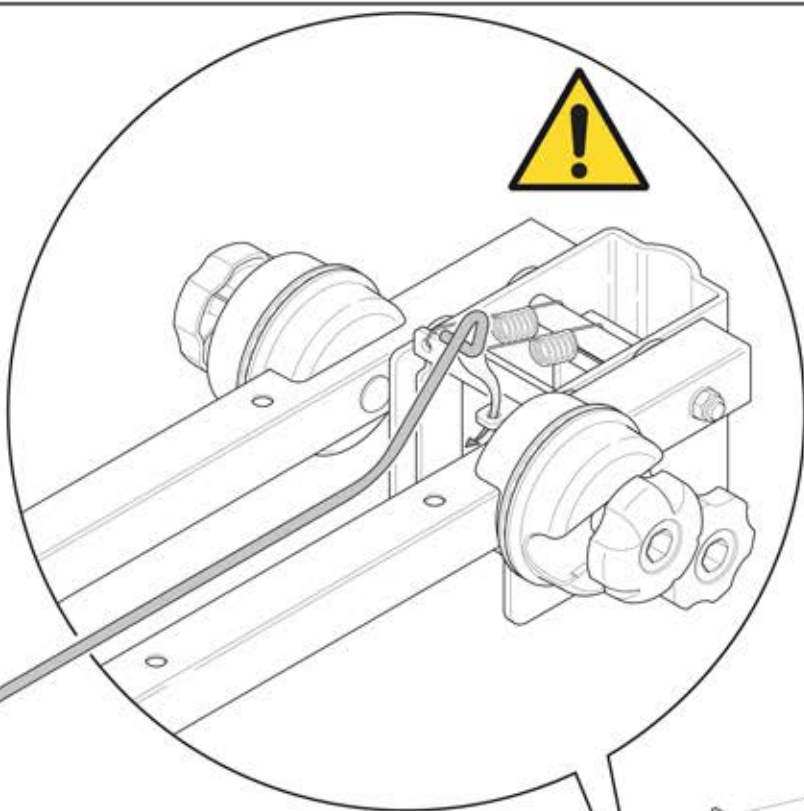


Fig. B

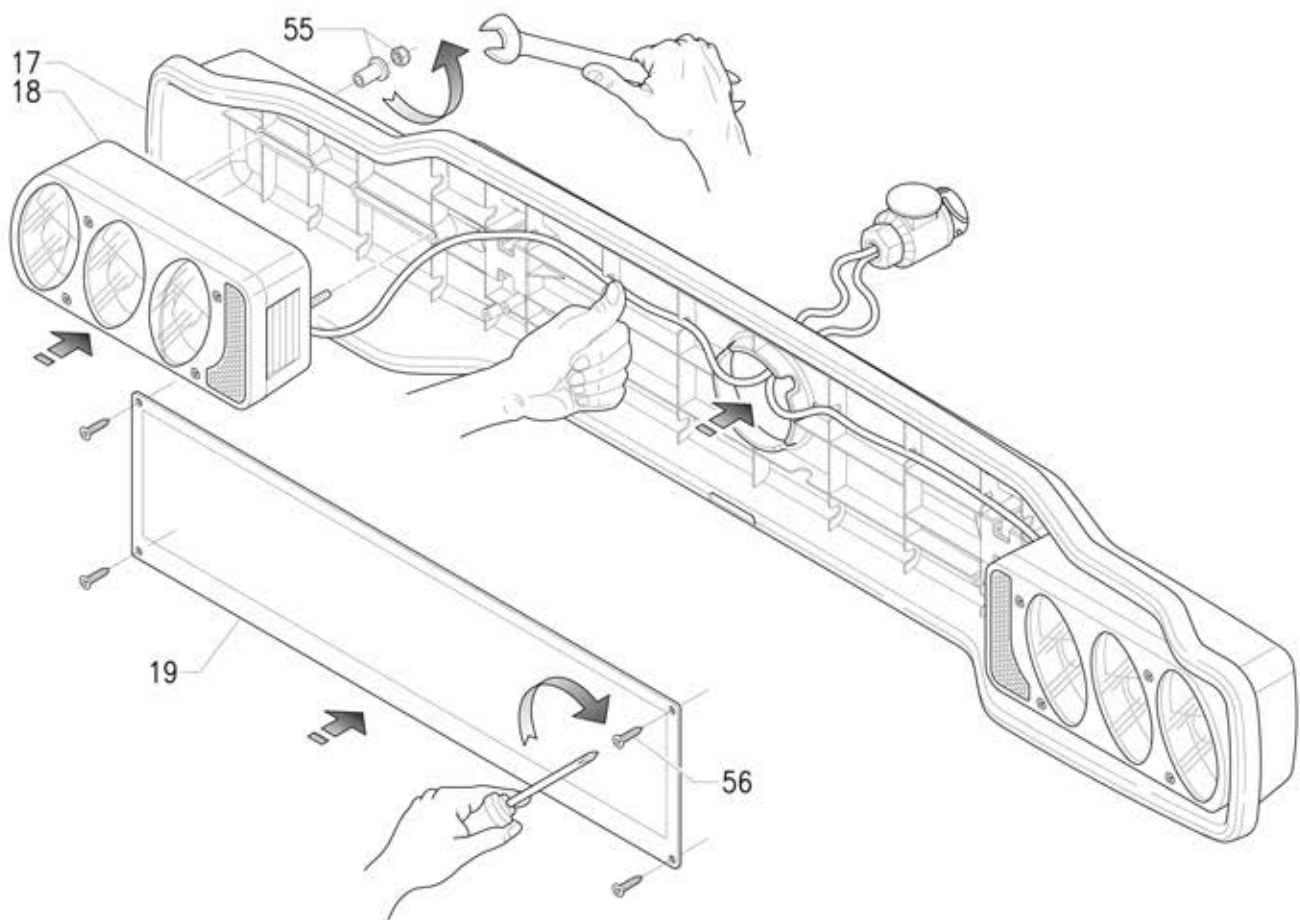


Fig. C

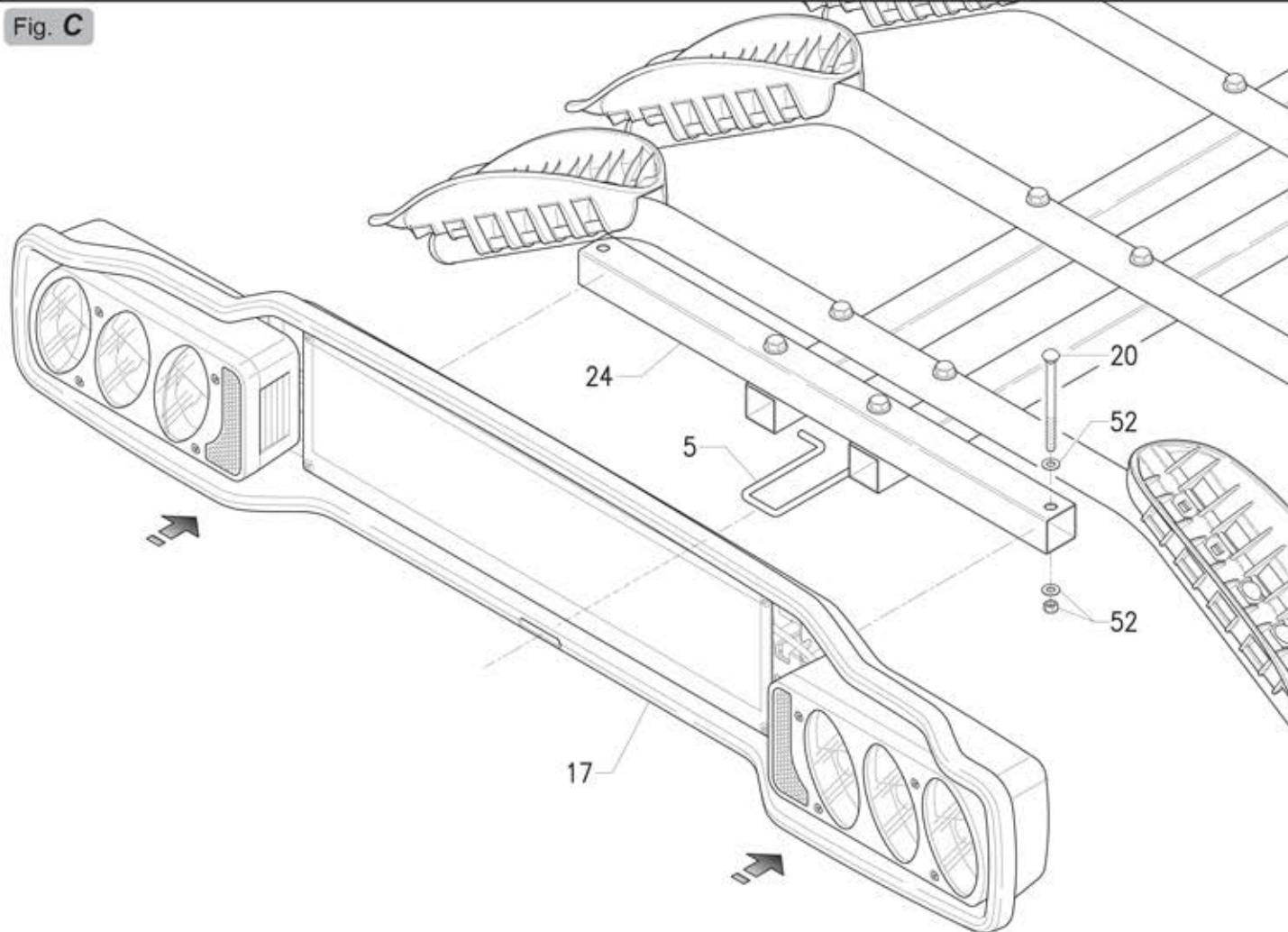


Fig. D1

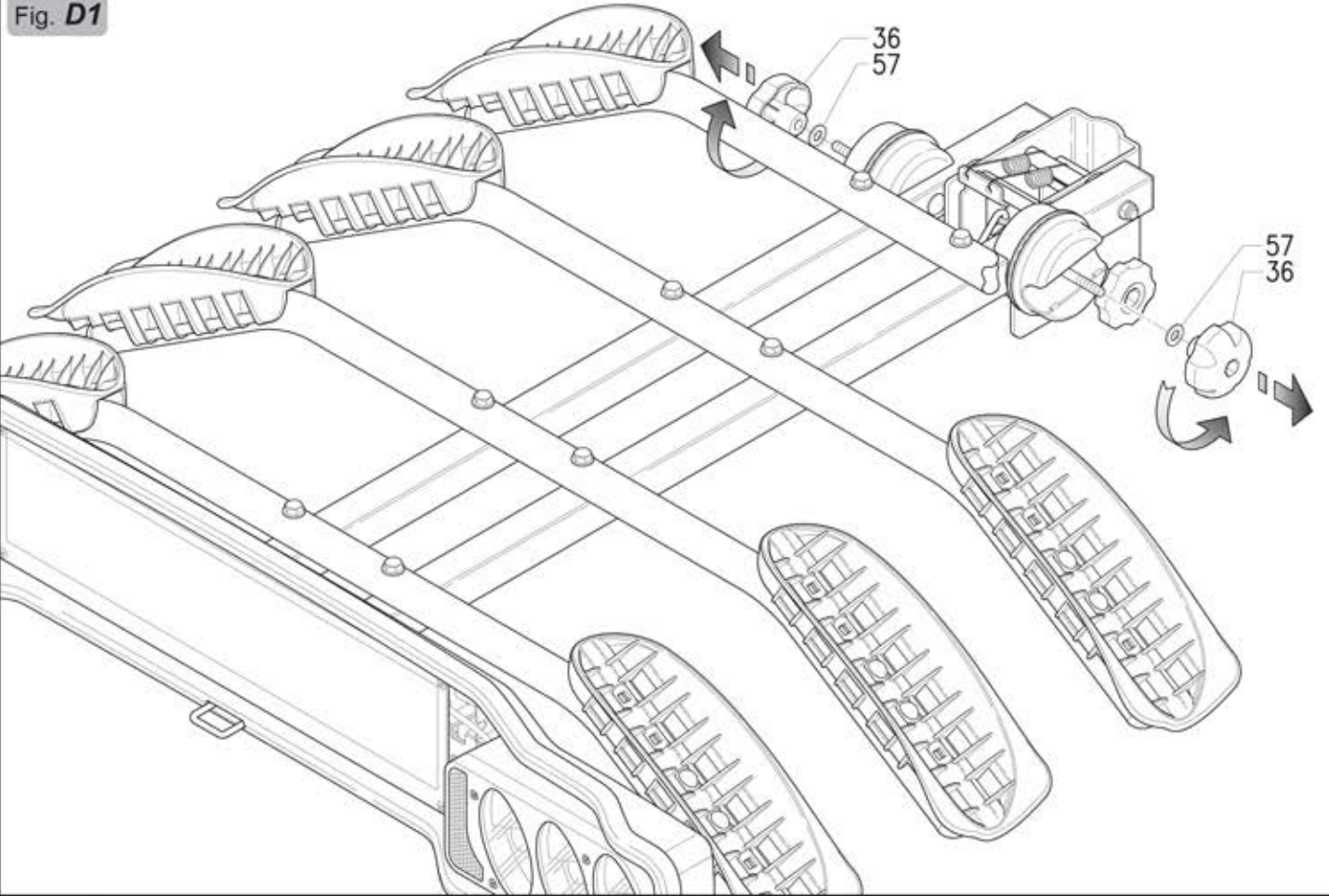


Fig. D2

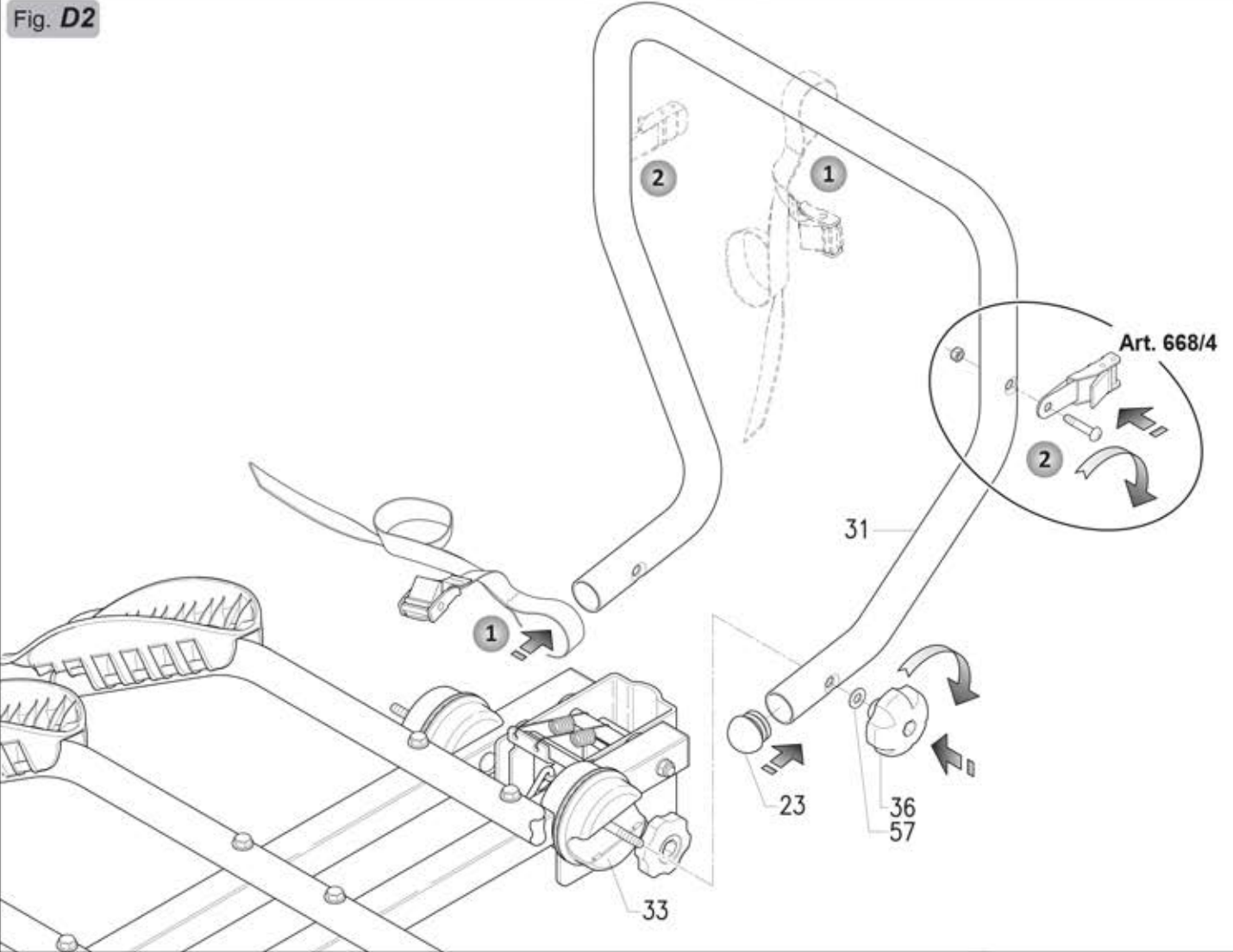


Fig. E

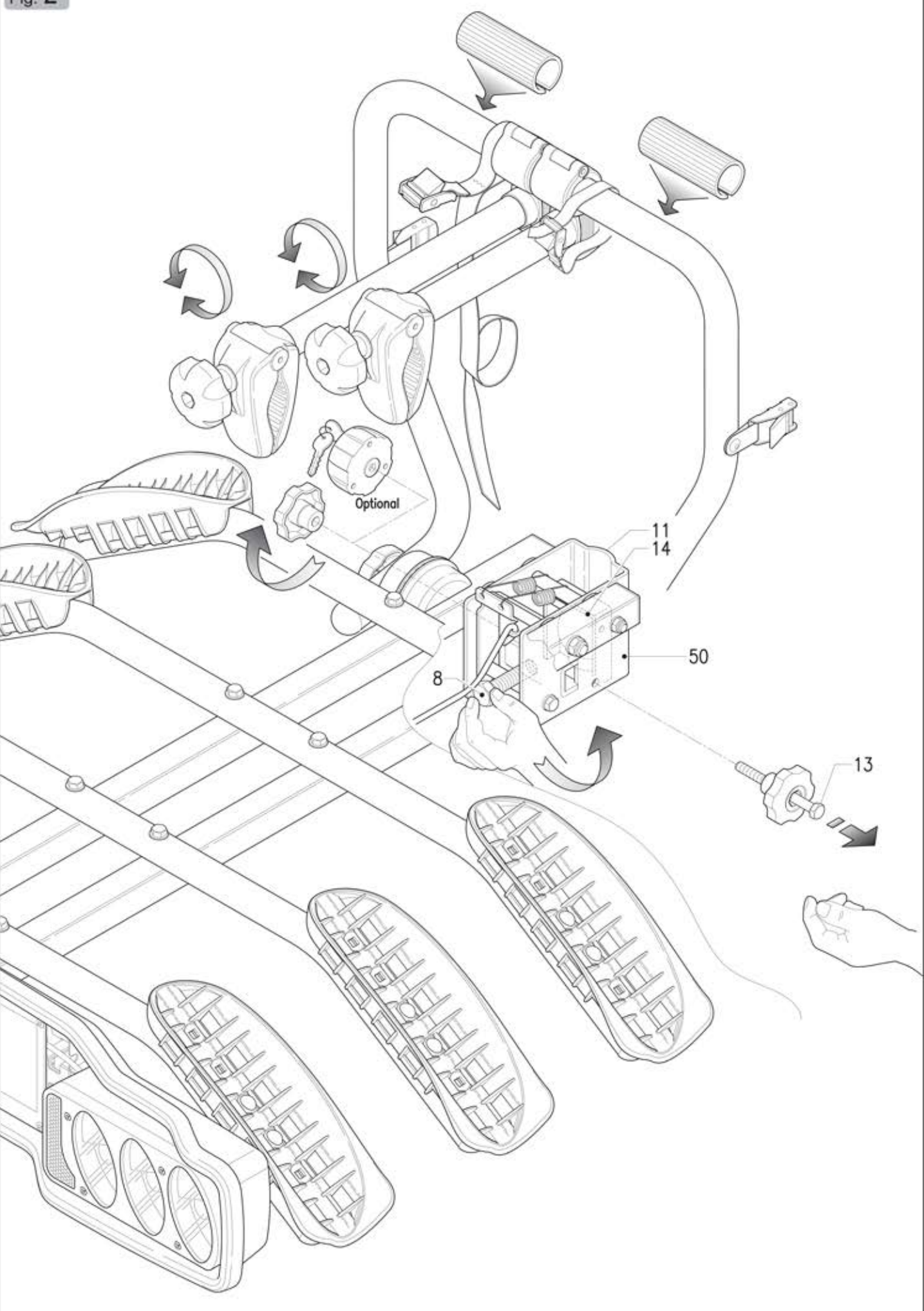
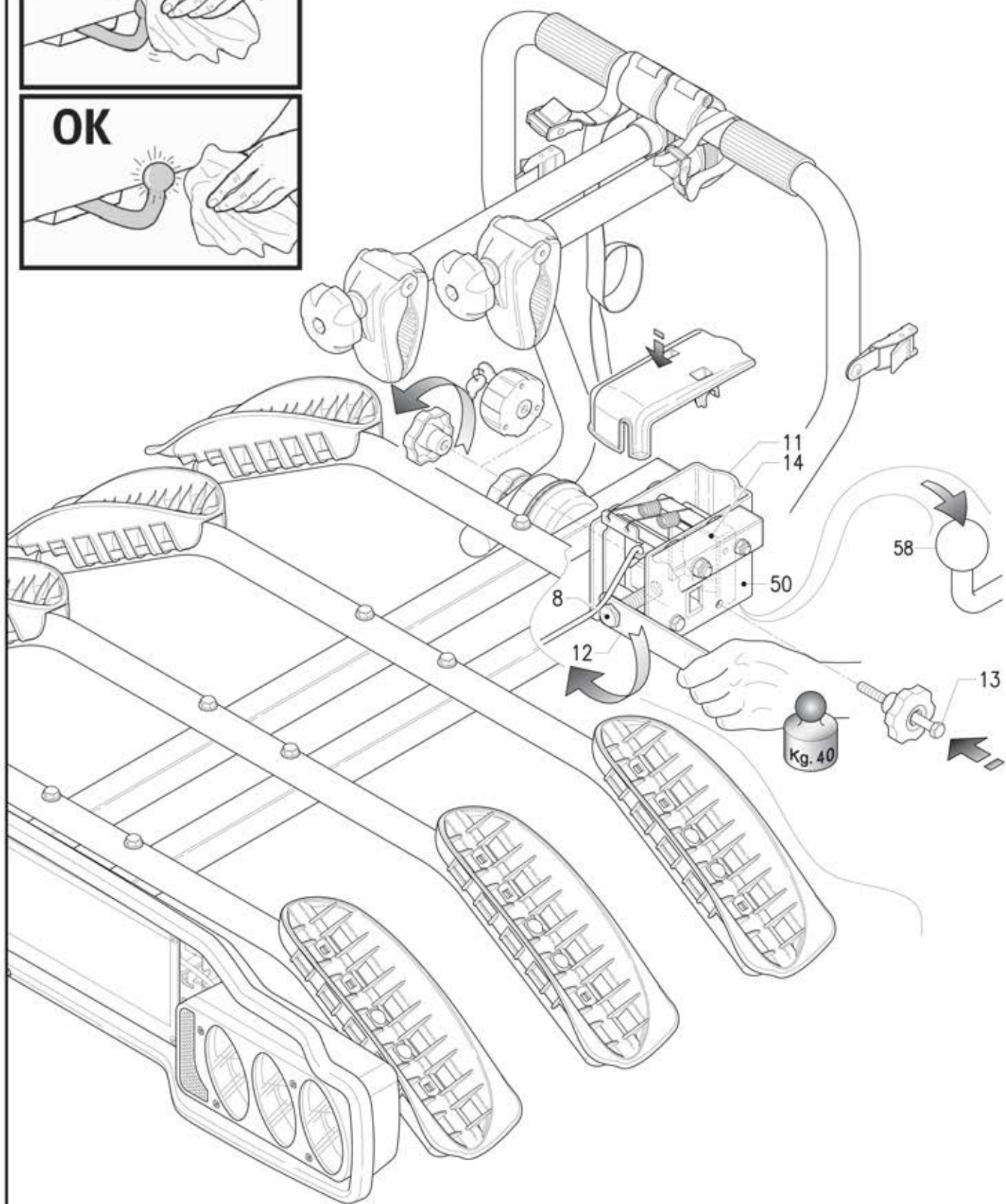


Fig. F



Art. 668/4

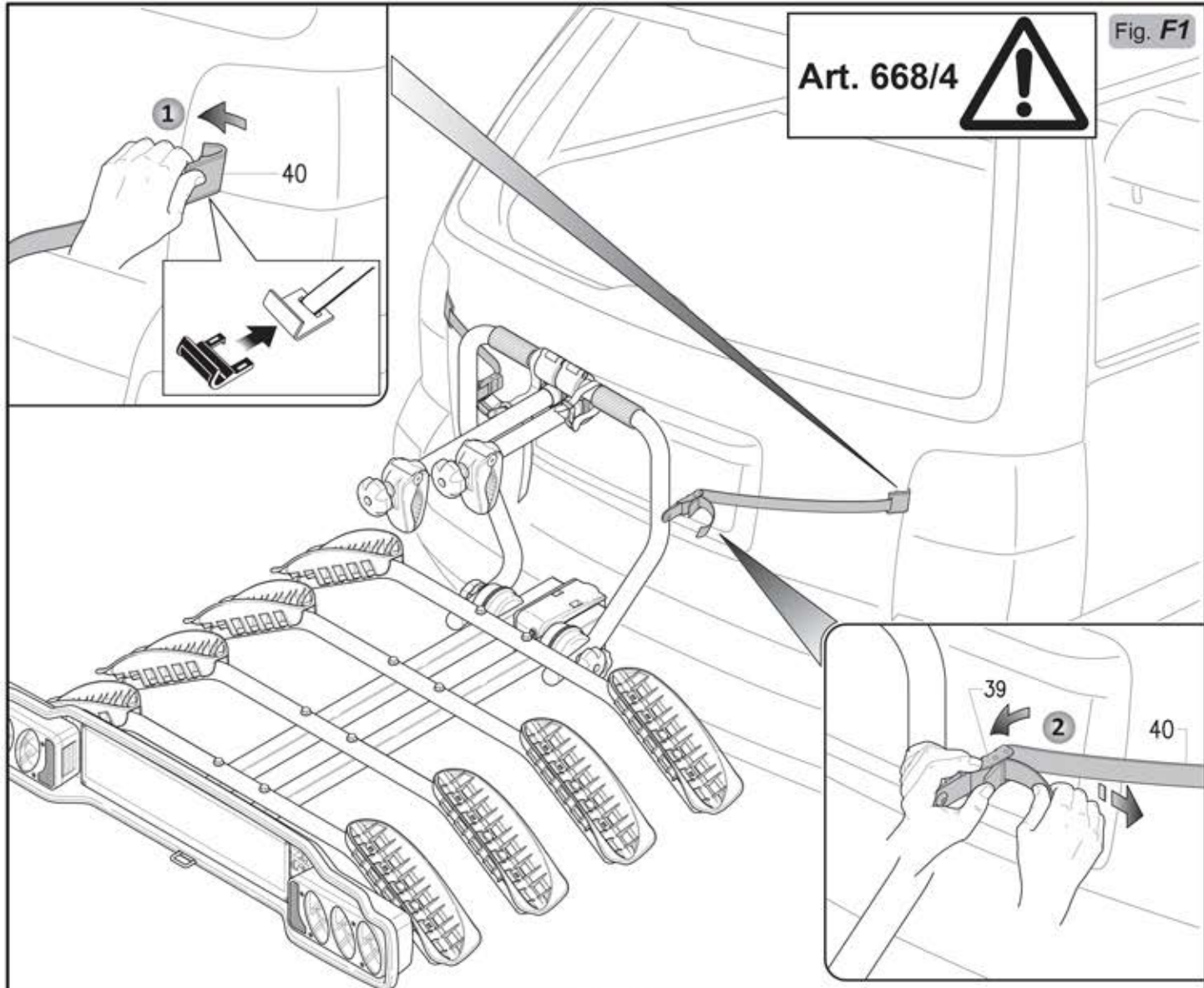


Fig. G

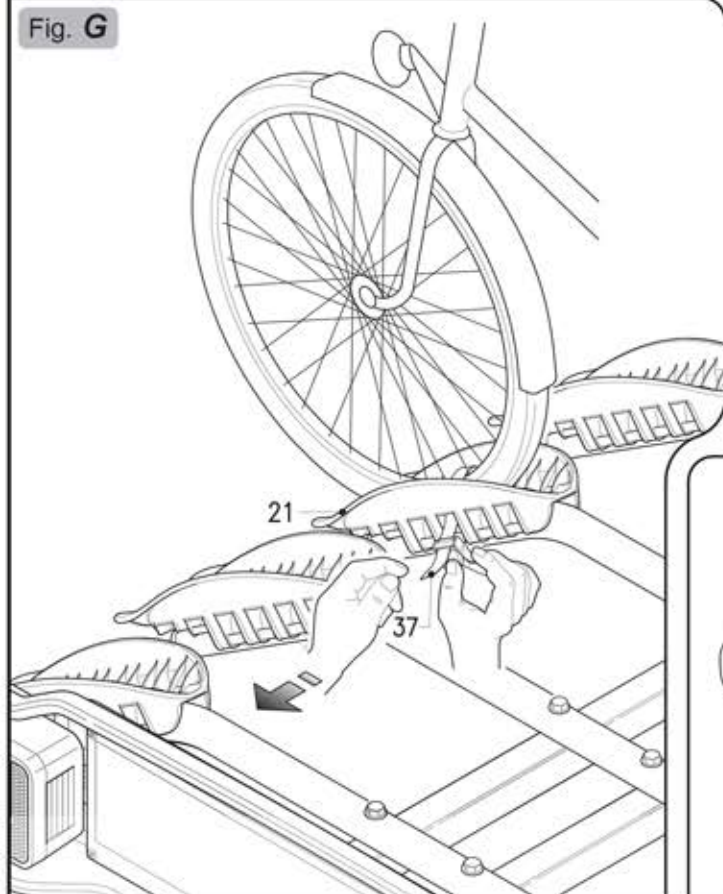
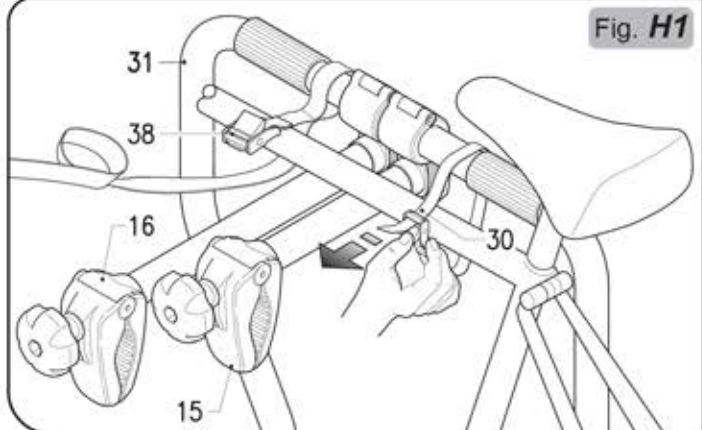


Fig. H1



Art. 668/4



Fig. H2

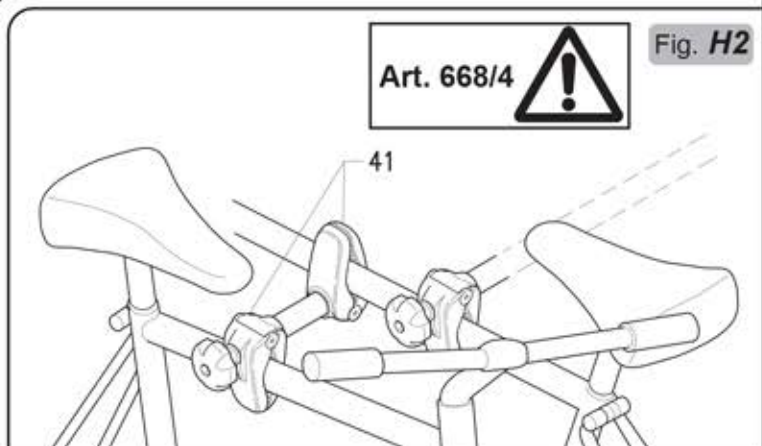


Fig. I

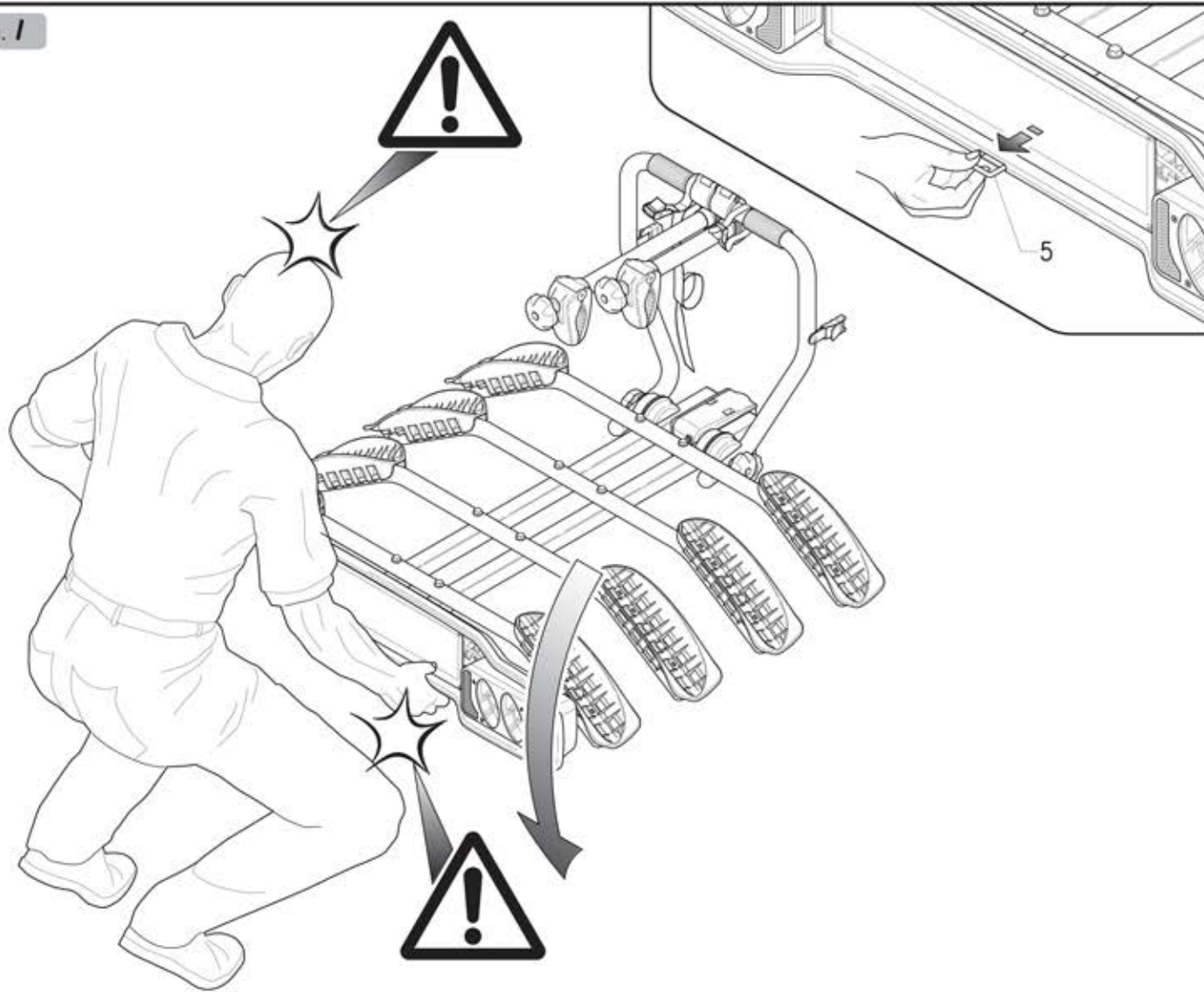


Fig. L

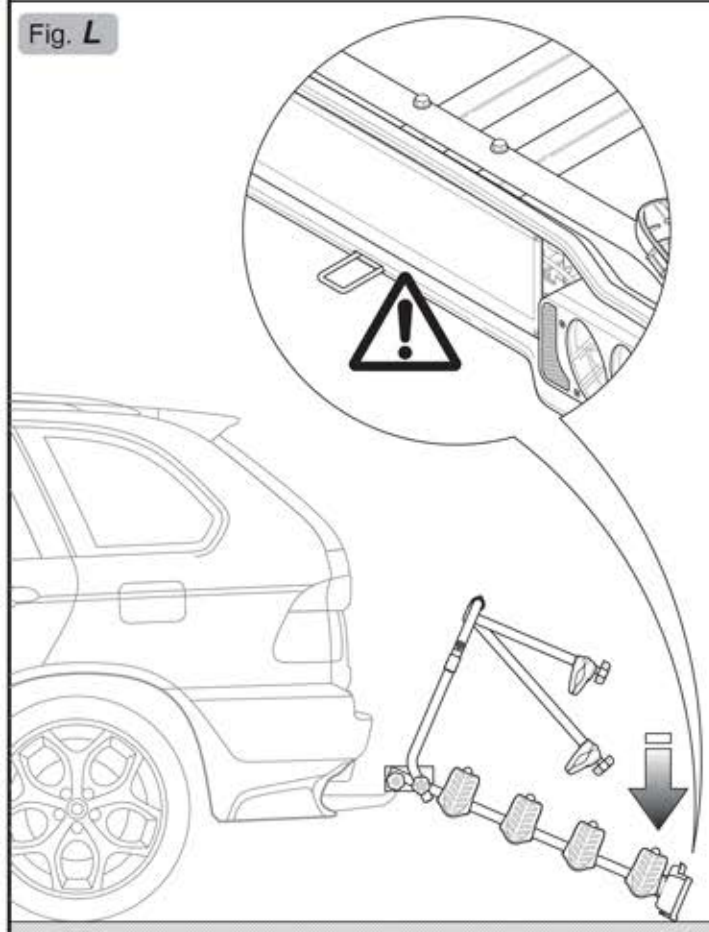
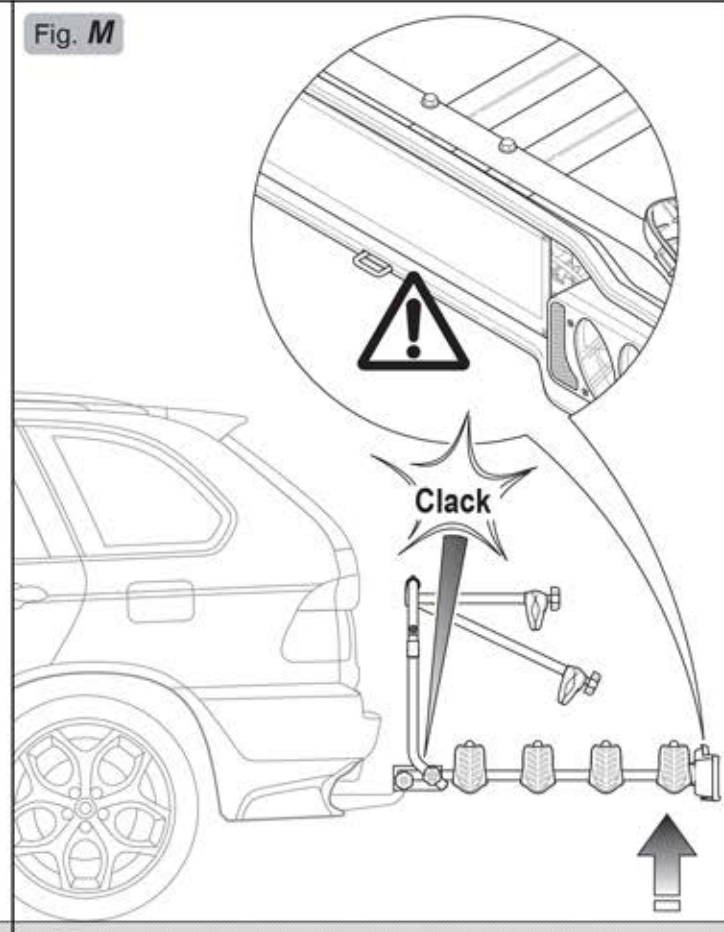


Fig. M





## ASSEMBLY AND USER INSTRUCTIONS

Whenever this product is used the following information must be taken into consideration: the bike rack is a safe product if used correctly, whereas if it is used incorrectly it can cause damages to you and to anyone driving behind you.

- 1) Insert the end plugs **32** in the square bearing tubes **25-26** (Fig. **A**).
- 2) Insert the end plugs **23** in the bike carrier bars **27** (Fig. **A**) and in the bike fixing arch **31** (Fig. **D2**).
- 3) Mount the tyre cradles **21** on the bike carrier bar **27** in the most suitable positions for the dimensions of your bike and fix them with the screws **22**, nuts and washers **53** (Fig. **A**).
- 4) Fix the carrier bars **27** to the square bearing tubes **25-26** with the screws, nuts and washers **54** (Fig. **A**).
- 5) Fix the square tube **24** of the light bar **17** to the square bearing tubes **25-26** with the screws, washers and nuts **51** (Fig. **A**).
- 6) Mount the rear lights **18** on the light bar **17** and fix them with the washers and nuts **55** (Fig. **B**) while taking care not to damage the wires. Thread the 13 pin plug through the central hole of the light bar **17**.
- 7) Fix the number plate frame **19** to the light bar **17** with the screws **56**.
- 8) Fix the light bar assembly **17** to the square tube **24** with the screws **20**, the nuts and the washers **52**; make sure you thread the tilt hook **5** into the slot provided (Fig. **C**).
- 9) Mounting the bike fixing arch **31**:
  - Unscrew and remove the knobs **36** and the washers **57** from both sides (Fig. **D1**);
  - Carry out the operations **1** and **2** (Fig. **D2**);
  - Place the bike fixing arch **31** in the half pipe of the tilt adjustment element **33**, then fix it with the washers **57** and the knobs **36** (Fig. **D2**).

## HOW TO INSTALL THE BIKE RACK ON THE TOWING HOOK

To mount the bike rack in safety and to avoid damaging the vehicle, you should request the help of another person.

- 10) Remove the safety screw **13** from the fixing block **50** (Fig. **E**).
  - 11) Unscrew the screw **8** until the hemisphere **14** (Fig. **E**) is completely open.
  - 12) Apply the fixing block **11** with the hemisphere open **14** to the hitch ball **58** (Fig. **F**).
  - 13) Tighten the screw **8** with the wrench provided **12** until the hemisphere **14** is secured to the hitch ball **58** (the manual force should be equal to at least **40 Kg.**) (Fig. **F**).
- IMPORTANT:** Lastly mount the safety screw **13** to the fixing block **50** (Fig. **F**) to avoid any accidental openings.

ONLY FOR ART. 668/4

- 14) Attach the strap hooks **40** to the edges of the vehicle hatch, then insert the straps in the buckles **39** (make sure the inlet direction is correct) (Fig. **F1**).
- IMPORTANT:** Give the straps a good tug to check for tightness. Check the tightness before starting and during the trip.

## POSITIONING and FIXING the BIKES ON THE BIKE RACK

- 15) Place the biggest and heaviest bike on the bike rack first, position the wheels in the tyre cradles **21** and lean it up against the bike fixing arch **31**. Secure the bike to the bike fixing arch **31** with the fixing strap **30** (Fig. **H1**). Secure the wheels by means of the fixing straps **37** (Fig. **G**). Check that the belts are mounted correctly by pulling on them.
  - 16) Repeat the operations in **15** for the second, third and fourth bikes. The second and third bikes are secured to the fixing arch **31** with the fixing arms **15/16** (Fig. **H1**), whereas the fourth bike is secured to the third bike with fixing arm **41** (Fig. **H2**).
- IMPORTANT:** For safe transportation of the load the bike carrier is supplied with a strap **38** for tying all the bikes to the fixing arch **31**. Check that the belt is mounted correctly by pulling on it.

## BIKE RACK INCLINATION (Fig. I/L/M)

- 17) To tilt the bike rack hold it up with one hand while you pull the hook **5** with the other (Fig. **I/L**). To avoid injury or damage, this operation of tilting the bike rack should be carried out with the help of a third person. To close the bike rack lift it until the tilt hook **5** engages securely in the transit position (Fig. **M**).

## ATTENTION – SAFETY REQUIREMENTS

As well as the information described below please observe the "Conditions, suggestions and limits for use" specified in the EC type test certificate.

- Weight and maximum capacity of "SIENA" bike racks:
  - \* Model **668** (10,85 kg) - **669** (10,65 kg) ---> 2 bikes, max. capacity 34 kg.
  - \* Model **668/3** (13,56 kg) - **669/3** (13,33 kg) ---> 3 bikes, max. capacity 51 kg.
  - \* Model **668/4** (15,93 kg.) ---> 4 bikes, max. capacity 60 kg.

- Never exceed the permitted capacity of the towing hook installed. The combined weight of the bike rack and the load must never exceed the permitted capacity. Keep the towing hook ball surface clean from dirt and oil.
- The driver is always responsible for the load he is transporting and consequently he is also responsible for checking the fastenings both before starting the trip and at regular intervals during the trip.
- Check the car manual for the specifications concerning the maximum permissible rear axle weight.
- Verify compliance with the value **D** (maximum load bearing capacity) of the towball specified by the car or towball manufacturer; the value **D** for the towball must be at least **(760 Kg) 7.6kN**; older towballs often only specify the permissible load on the towball **G<sub>A</sub>** and the total permissible load of the towing vehicle **G<sub>K</sub>** rather than value **D**; in this case the value **D** can be calculated using the values specified in the vehicle maintenance or registration booklet:

$$D = \frac{9,81}{1000} \times \frac{(G_A \times G_K)}{(G_A + G_K)}$$

(*D* in [kN] / *G<sub>A</sub>* in [kg] / *G<sub>K</sub>* in [kg])

- Remove from the transported bikes children's seats, transport baskets, rain covers or other elements that could get lost or increase the air resistance.
- Do not carry more bikes than the number indicated for a specific model.
- Bike parts, such as for example the handlebars or pedals, must not be left in the normal position of use; they must be folded to avoid dangerous projections.
- Ensure that the bike rack is fitted correctly on the towing hook and that the bikes are secured as instructed.
- The bike rack is only suitable for transporting bicycles.

- Before leaving, check that the rear lights function correctly. Also check that the indicator lights work correctly.
- Keep the connections clean (lighting board power plug and power outlet on the vehicle); use suitable cleaning materials when necessary.
- Do not use and/or attach the bike rack to the car before making the electrical connections.
- Check that the electrical cables are not damaged or likely to be damaged by interference with other elements of the vehicle or that they could, in any way, be accidentally cut.
- The lighting devices are not designed to be immersed in water.
- Any major work required to be done on the electrical system and connections must be performed by qualified personnel.
- Provide an additional number plate to be attached to the towball bike rack.
- Keep in mind that when driving a vehicle with a towball bike carrier the rear load projection is different to the normal projection, therefore, take care when reversing or parking as you need to consider the longer length of the vehicle; also be aware that the weight of the bikes loaded on the carrier alter the handling characteristics of the vehicle particularly in crosswind conditions, on bends or when braking; When on the road, respect the highway code speed limits and pay attention to the road conditions to prevent jolts.
- If the driver's rear view is obstructed the vehicle must be equipped with rearview mirrors to ensure safe driving.
- To avoid damage, if the boot lid is equipped with an automatic opening function, use this function with care.
- The rear lights of the vehicle are partially or completely covered when using the towball carrier which is why the model that you have purchased is equipped with an extra light and numberplate system. The necessary number and type of lights depend on the date of the vehicle's first registration, as set out below:

REGISTRATION BEFORE 01.01.1987	REGISTRATION BETWEEN 01.01.1987 AND 31.12.1990
It is not obligatory to use fog lights or reversing lights on the towball bike carrier.	It is not obligatory to use fog lights but it is mandatory to use the reversing lights of the towball bike carrier.
Use of a 7 pin plug is permitted.	Use of a 7 pin plug is permitted. In the event of incompatibility between socket and plug use suitable adaptors that are readily available on the market.
REGISTRATION AFTER 01.01.1991	REGISTRATION AFTER 01.01.1998
All the lights of the towball bike carrier must be operational. Fog lights and reversing lights are obligatory.	The towball bike carrier must not cover the third brake lights. The third brake light must be visible otherwise it must be repeated on the towball bike carrier.
It is necessary to use a relay or electric plug with a cutoff system that ensures that the vehicle's fog lights switch off automatically when the towball bike carrier is used and come on as soon as the plug is removed (Only a 13 pin plug complies with this requirement).	

**The manufacturer is not responsible for damage caused by improper use of this product, nor for any objection made by the competent authorities with regard to the highway code.**

**The manufacturer shall only be responsible for manufacturing defects in the bike rack and accessory components.**

**THE TYPE APPROVAL CERTIFICATE CAN BE DOWNLOADED FROM THE PRODUCT TECHNICAL DATA SHEET ON OUR WEB SITE**

[www.peruzzosrl.com](http://www.peruzzosrl.com)