

Art. 708

Art. 708/3

Art. 708/4

THE REAR CYCLE RACK FOR MOUNTING ON TOW BAR
HINTERRADFAHRRADTRÄGER ZUR MONTAGE AUF DER ANHÄNGERKUPPLUNG
PORTE VELOS ARRIERE POUR DISPOSITIF D'ATTelage
PORTABICI POSTERIORE GANCIO DI TRAINO
PORTA BICICLETA PARA APLICAR A LA BOLA DE REMOLQUE
BAGAŻNIK ROWEROWY NA HAK HOLOWNICZY
ZADNI NOSIČ JÍZDNÍCH KOL PRO MONTÁŽ NA TAŽNÉ ZAŘÍZENÍ
NOSILEC KOLES NA VLEČNI KLJUKI
PORTACICLO TRASEIRO PARA O GANCHO DE TRACÇÃO
FIETSENHOUDER VOOR ACHTERAAN OP TREKHAAK

- EN** Fitting instructions
- DE** Montageanleitung
- FR** Instructions de montage
- IT** Istruzioni per il montaggio
- ES** Instrucciones de montaje
- PL** Instrukcja montażu
- CS** Návod na montáž
- SL** Navodila za montažo
- PT** Instruções para a montagem
- NL** Instructies voor montage

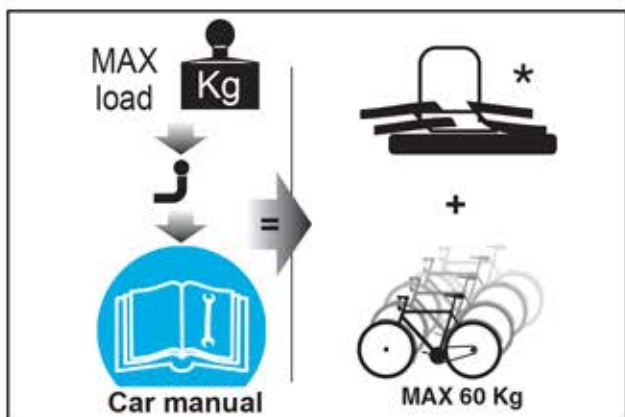
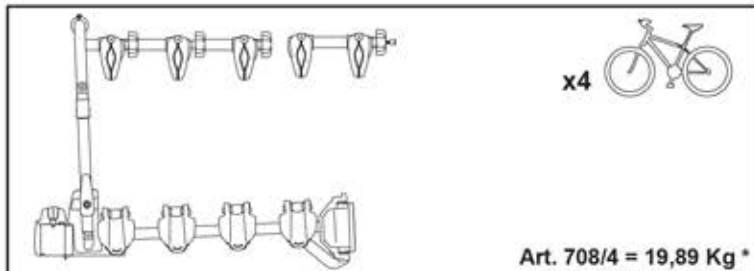
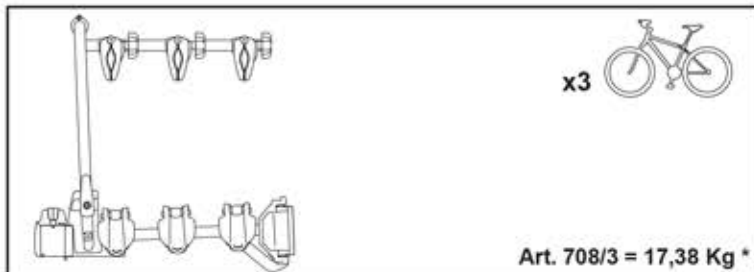
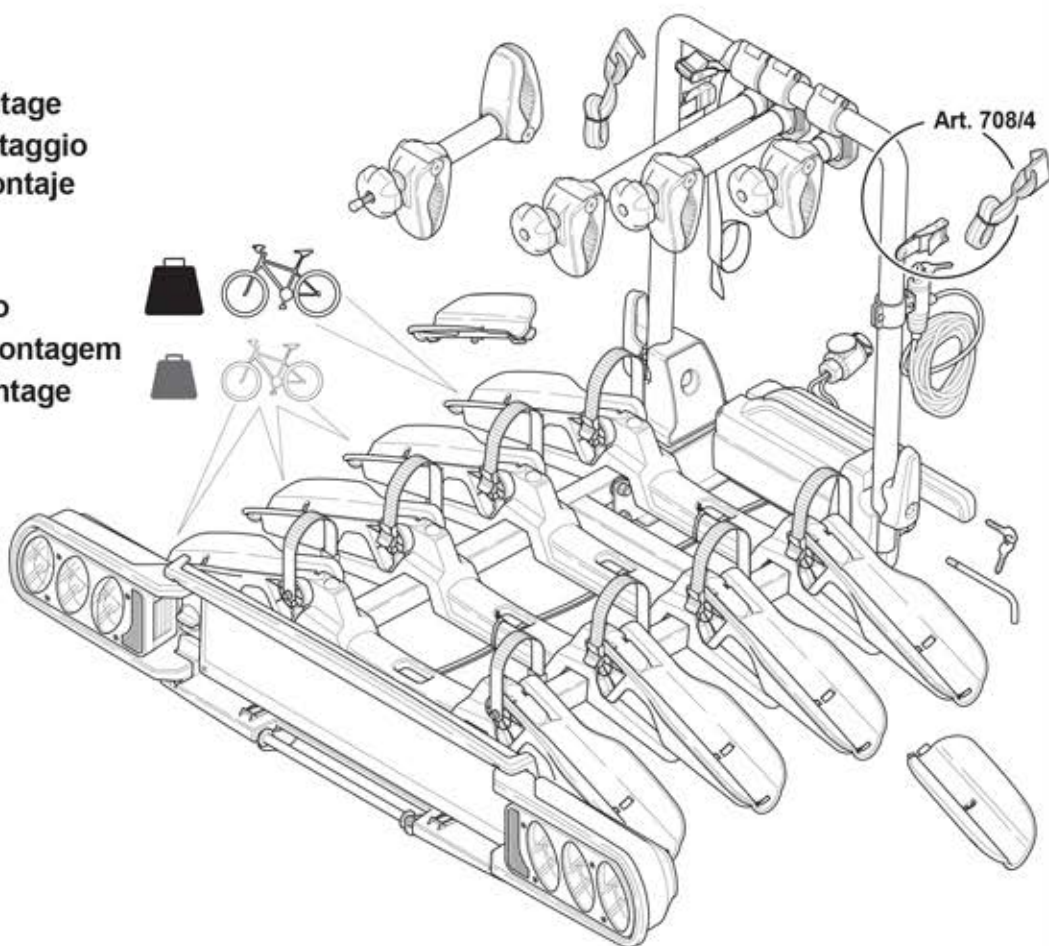


Fig. A

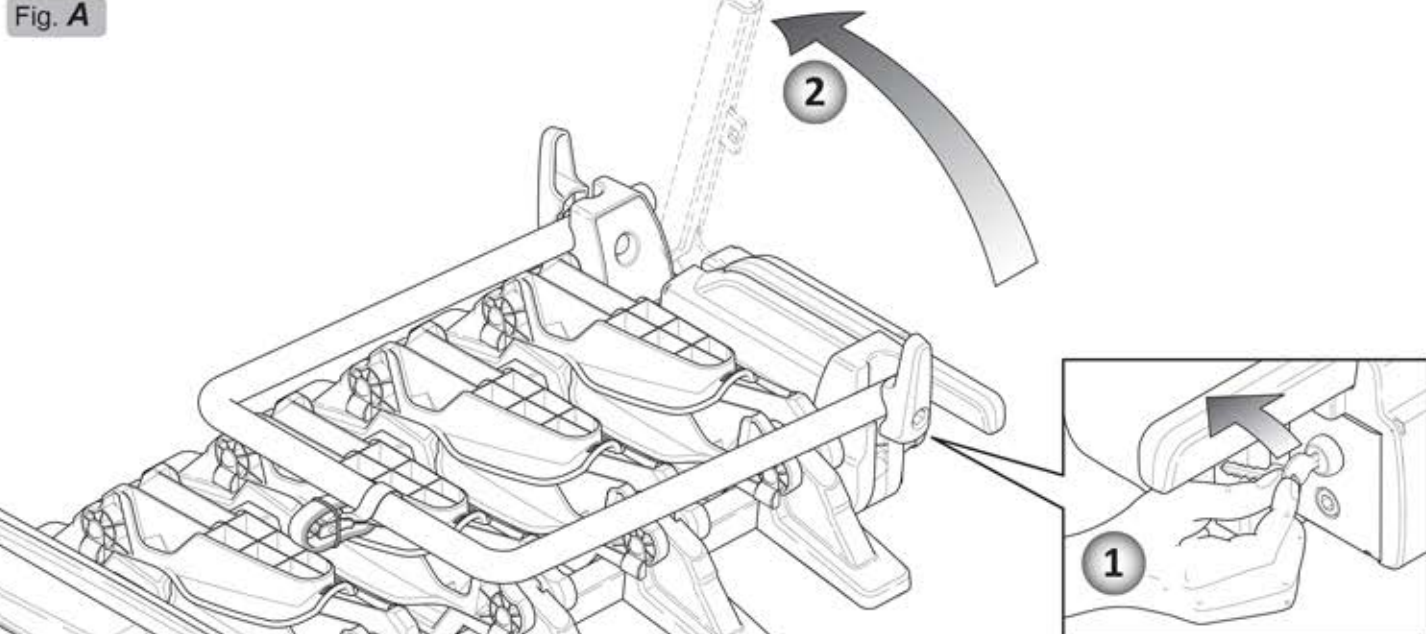


Fig. B

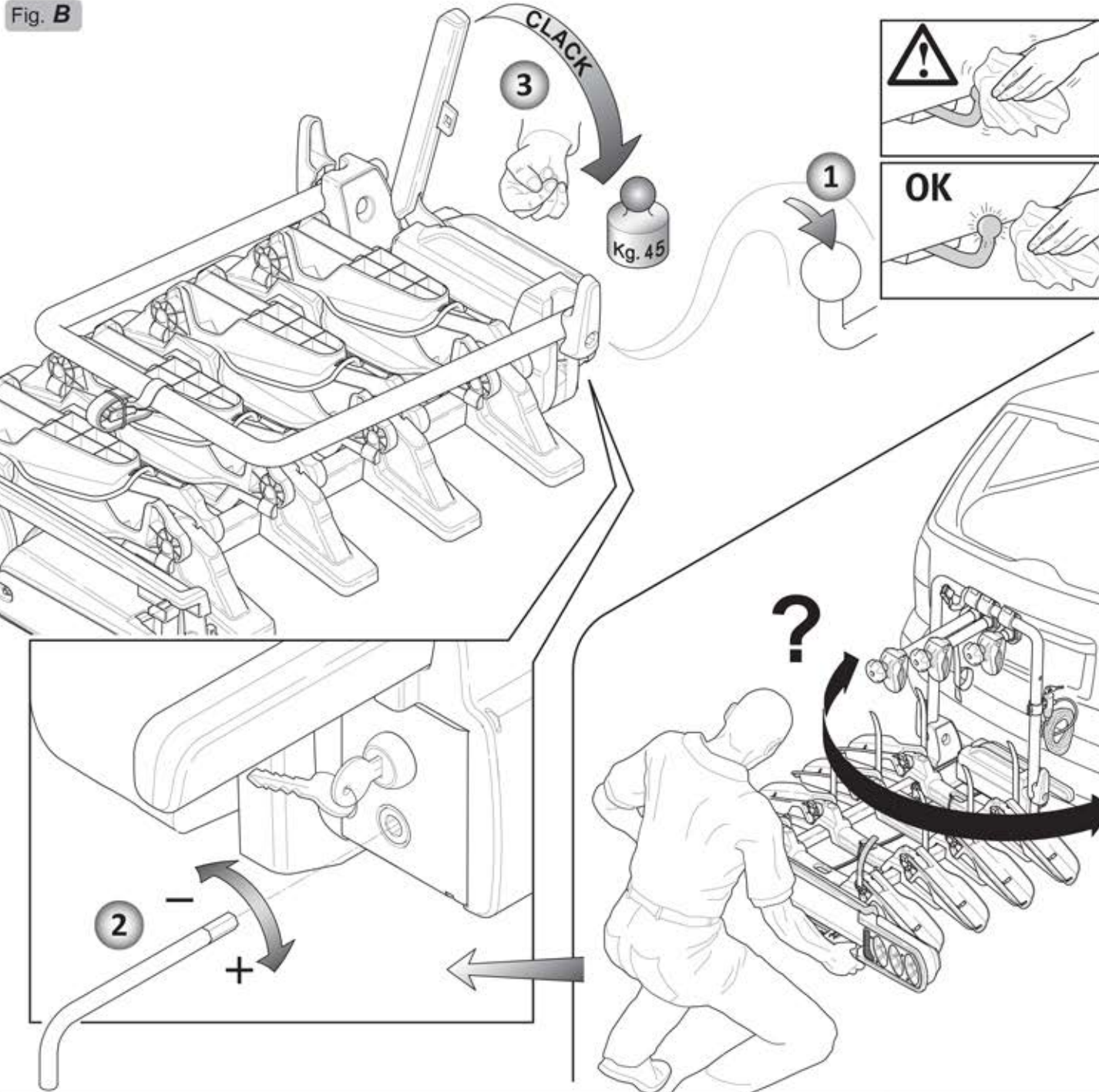


Fig. C

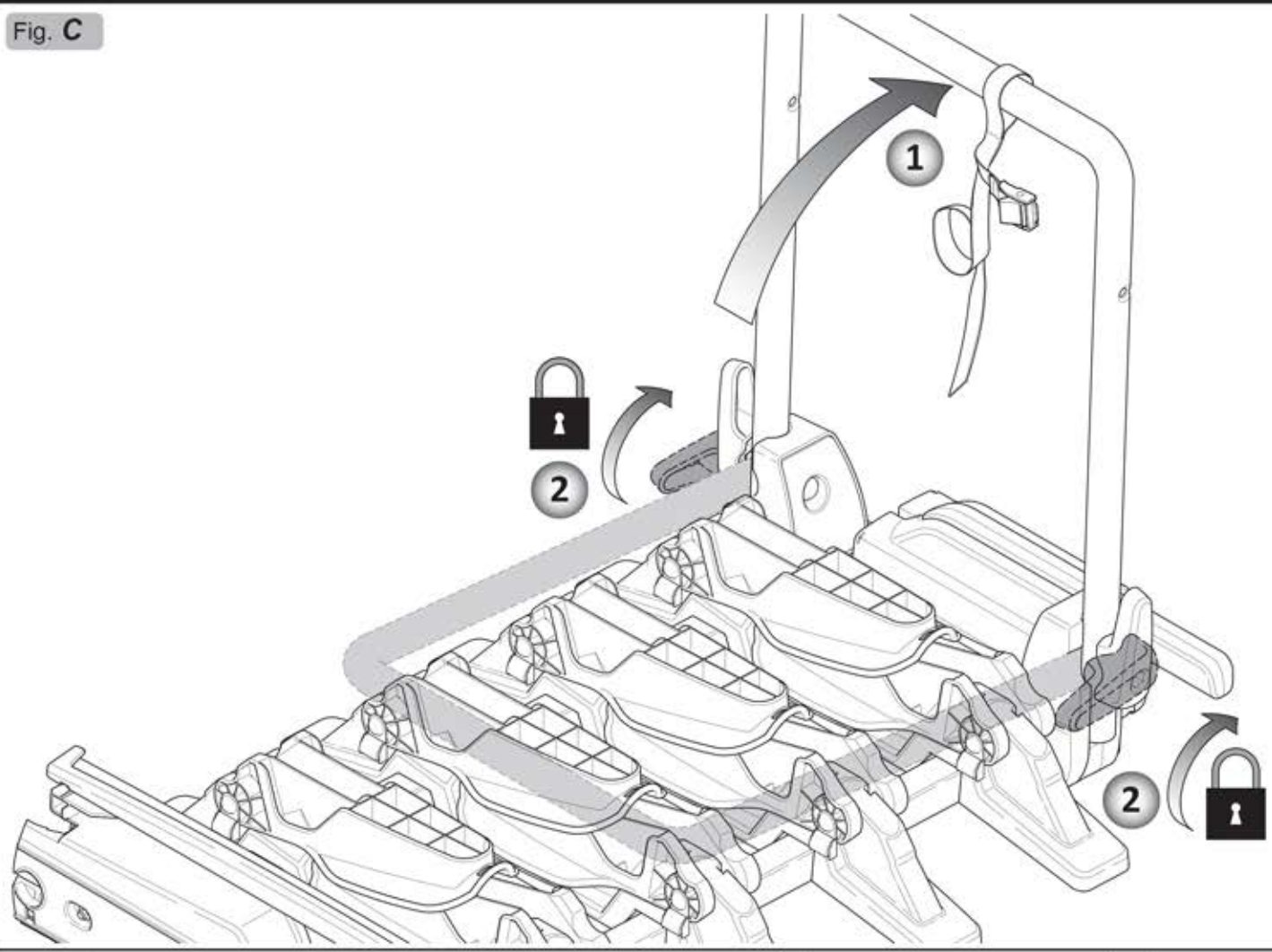
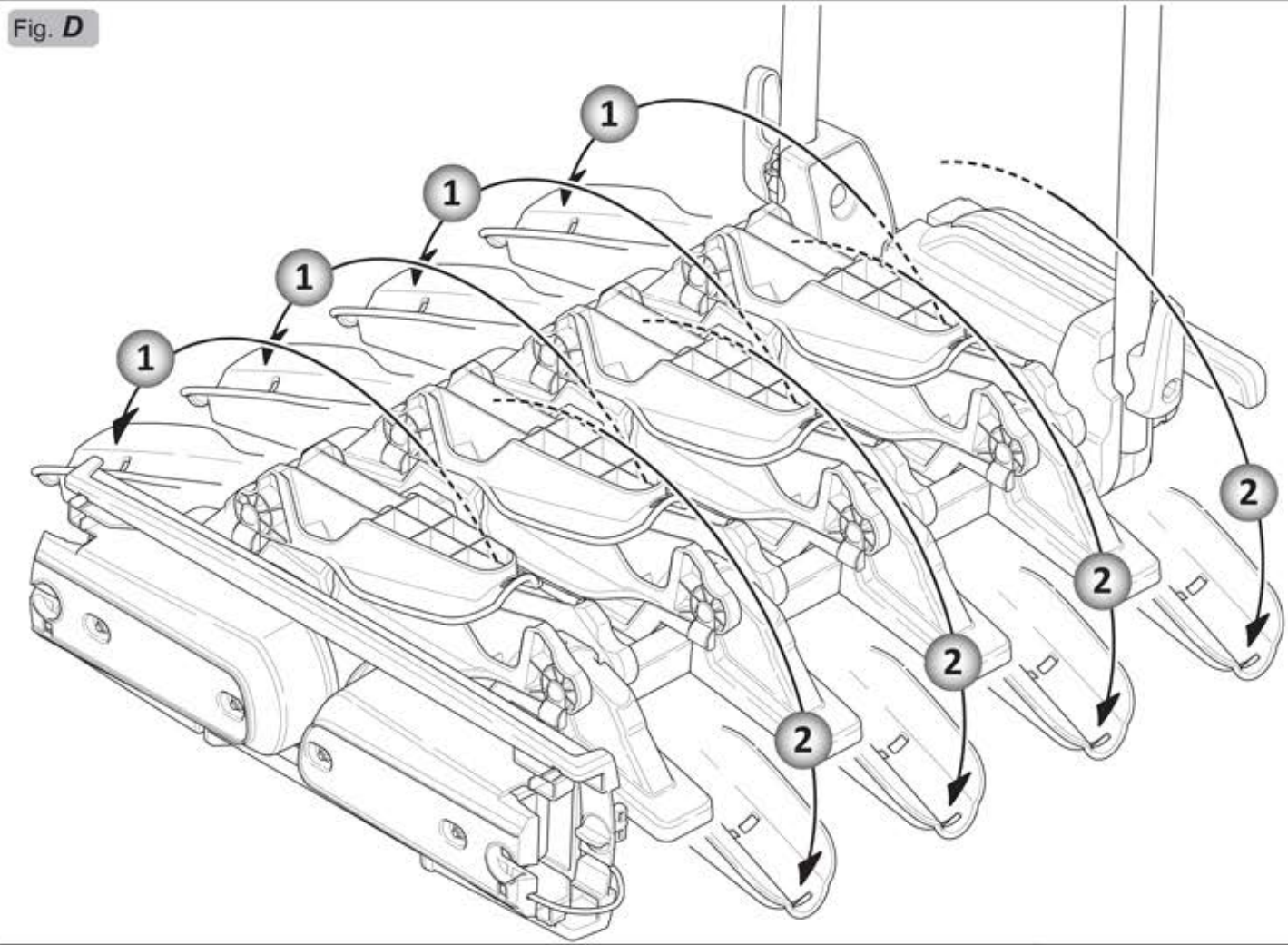
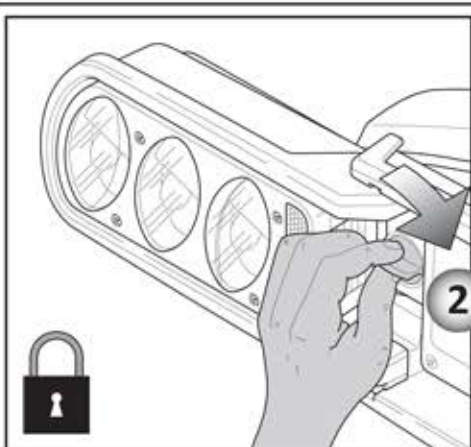
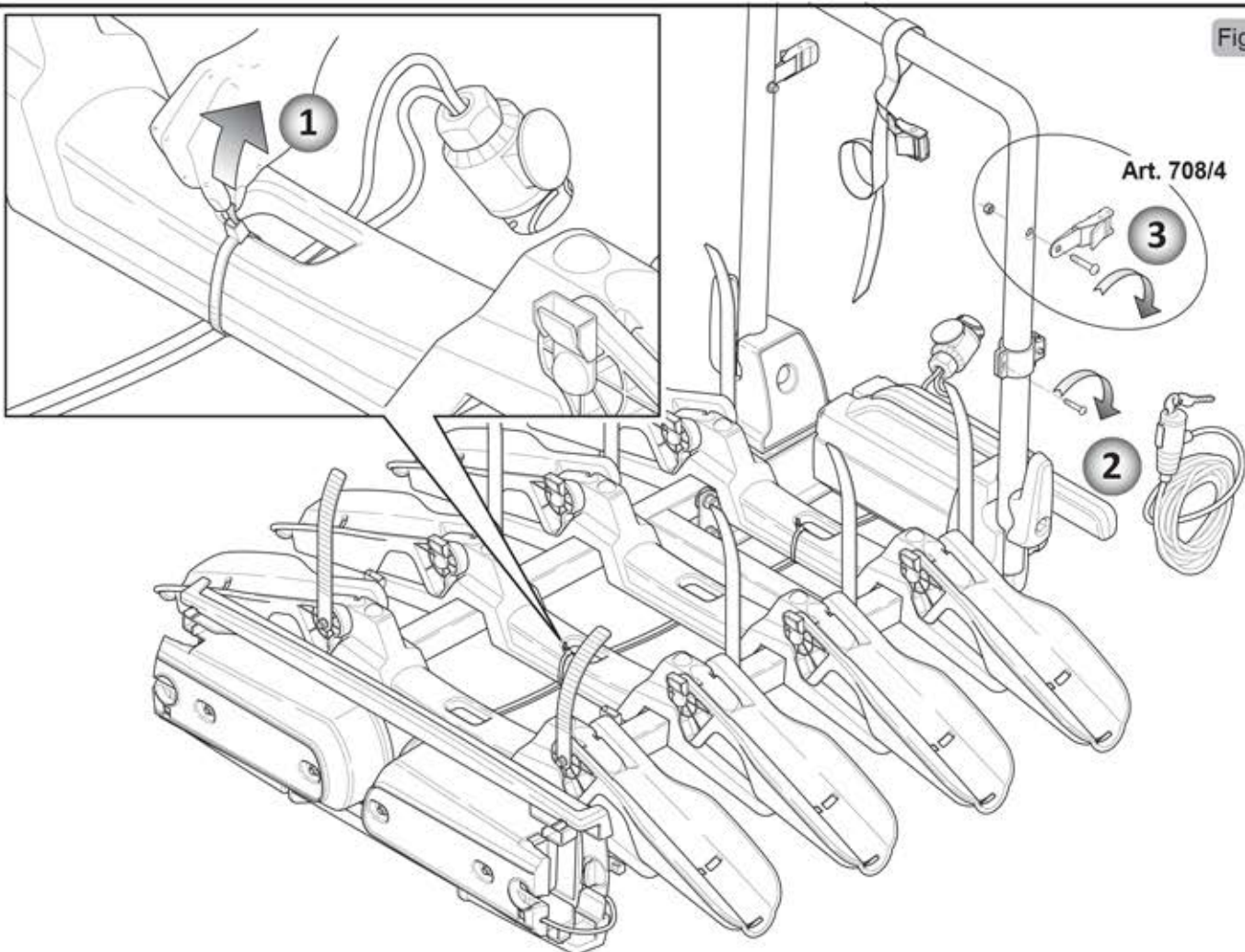


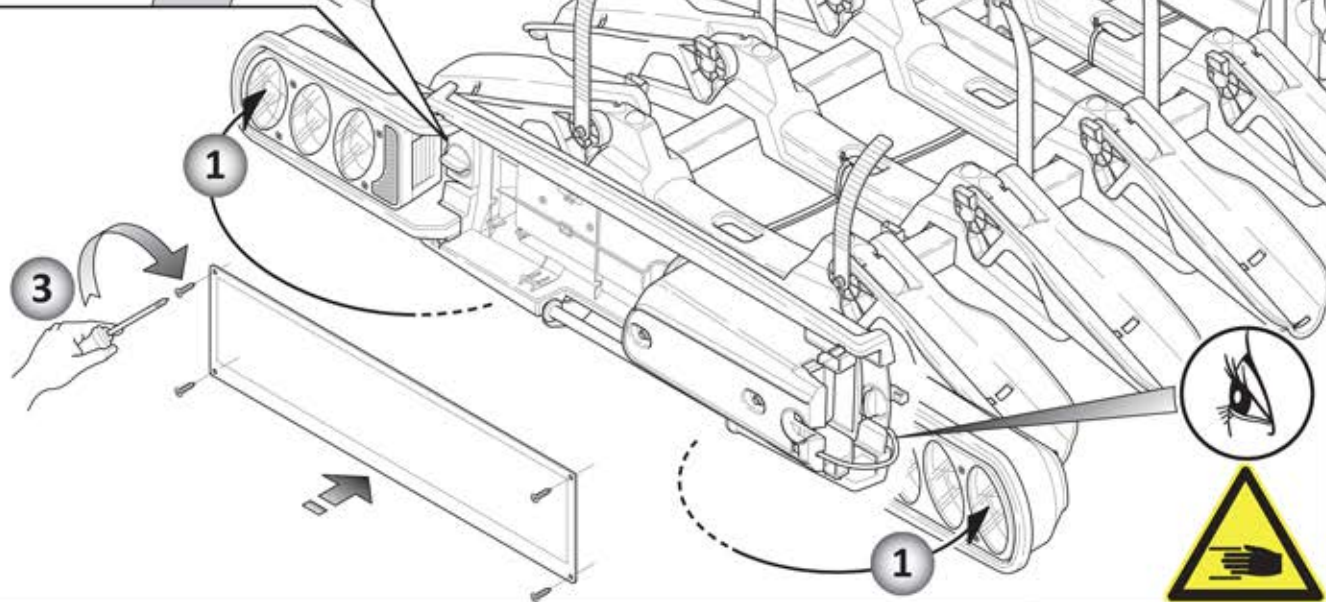
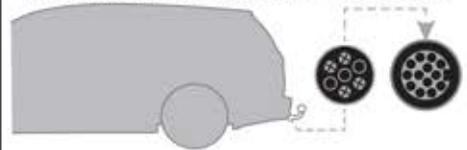
Fig. D





Art. 692

ADATTATORE SPINA 7 POLI + PRESA 13 POLI
ADAPTER FROM 7-PIN PLUG TO 13-PIN



Art. 708/4

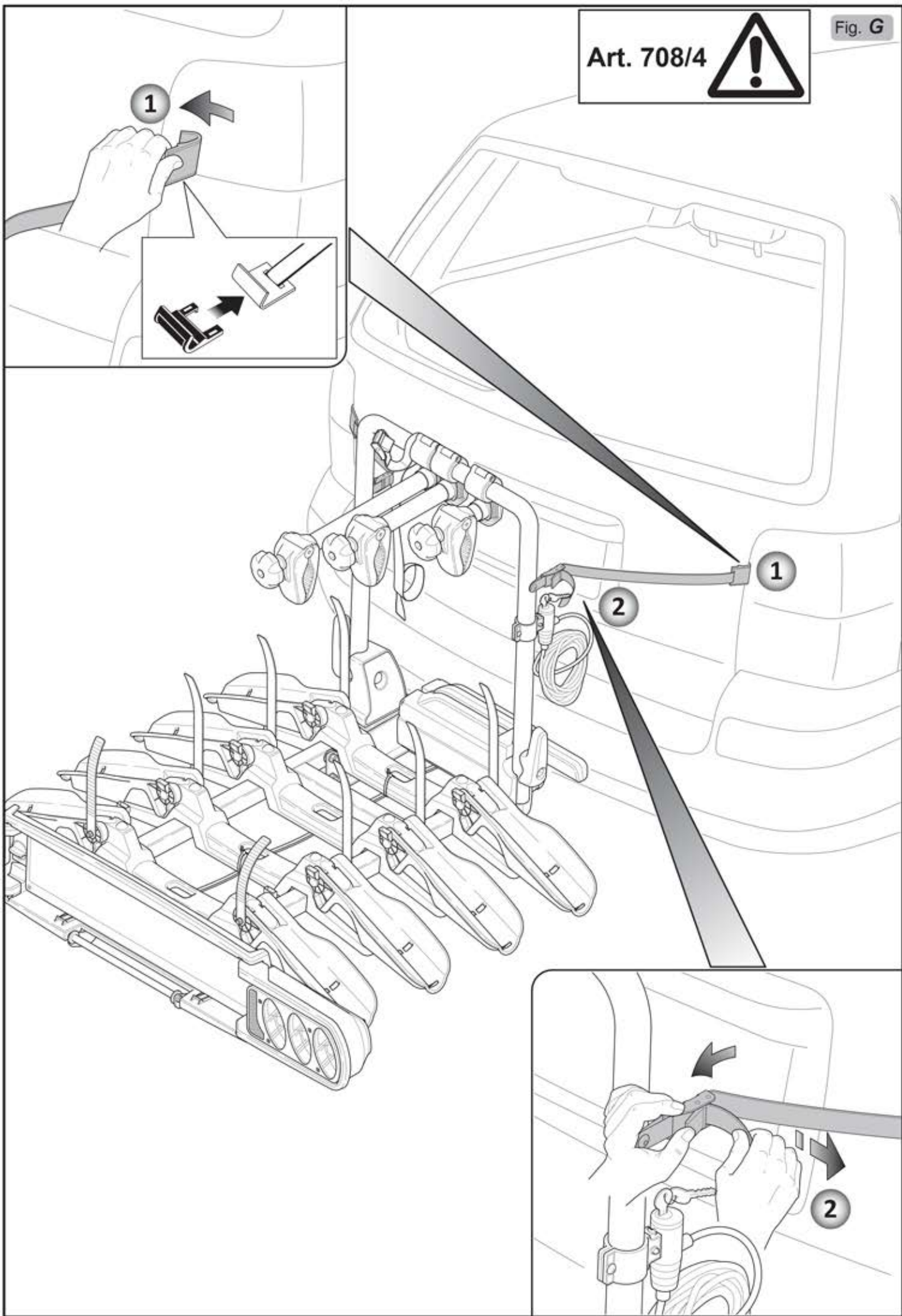


Fig. H3

Fig. H

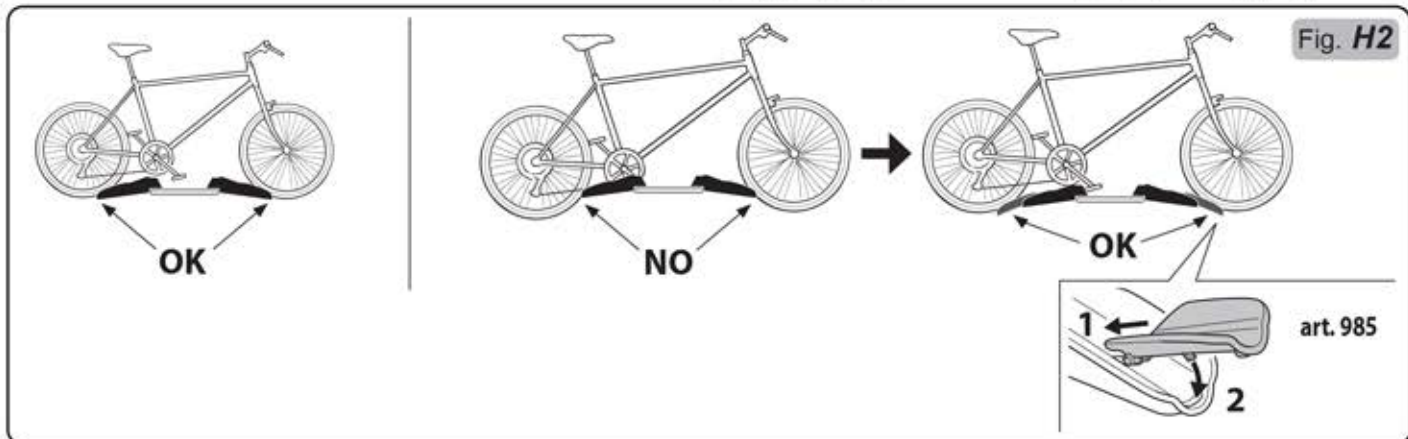
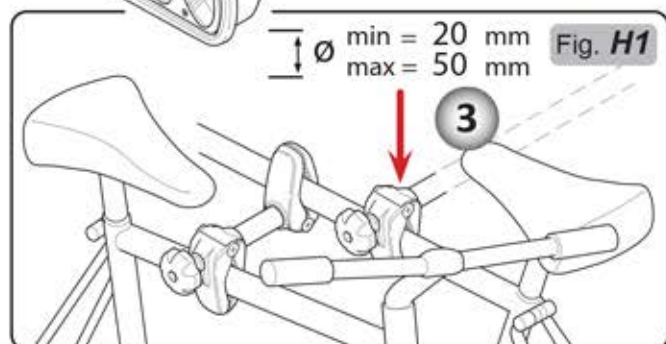
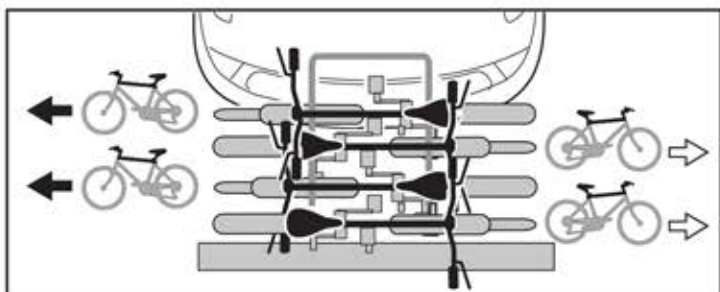
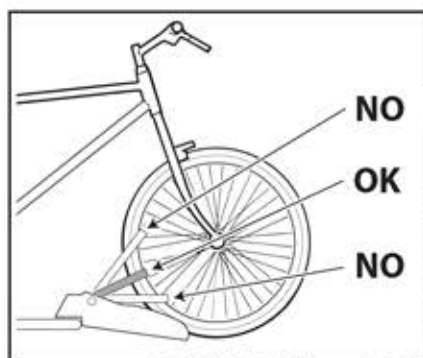
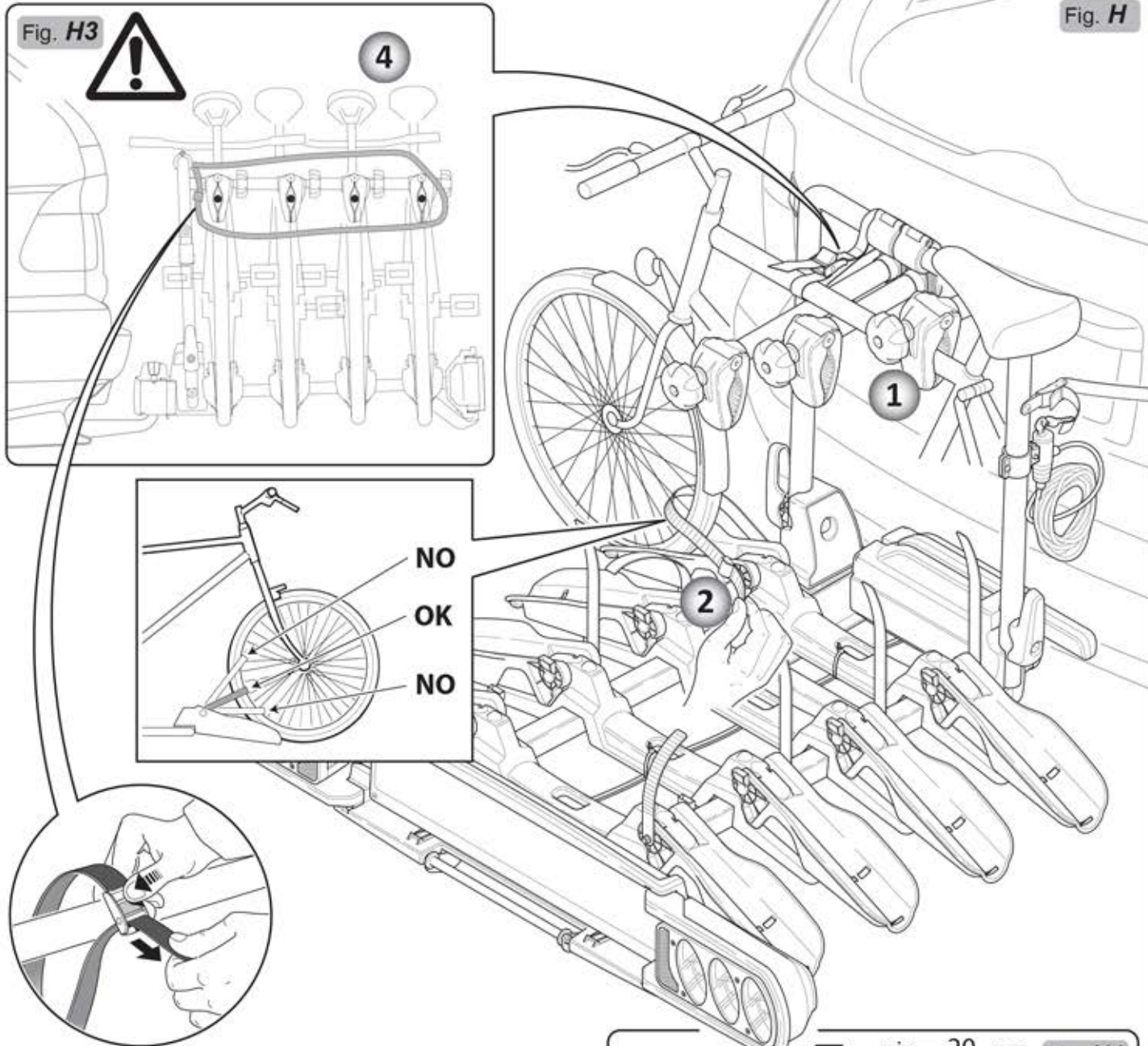


Fig. I

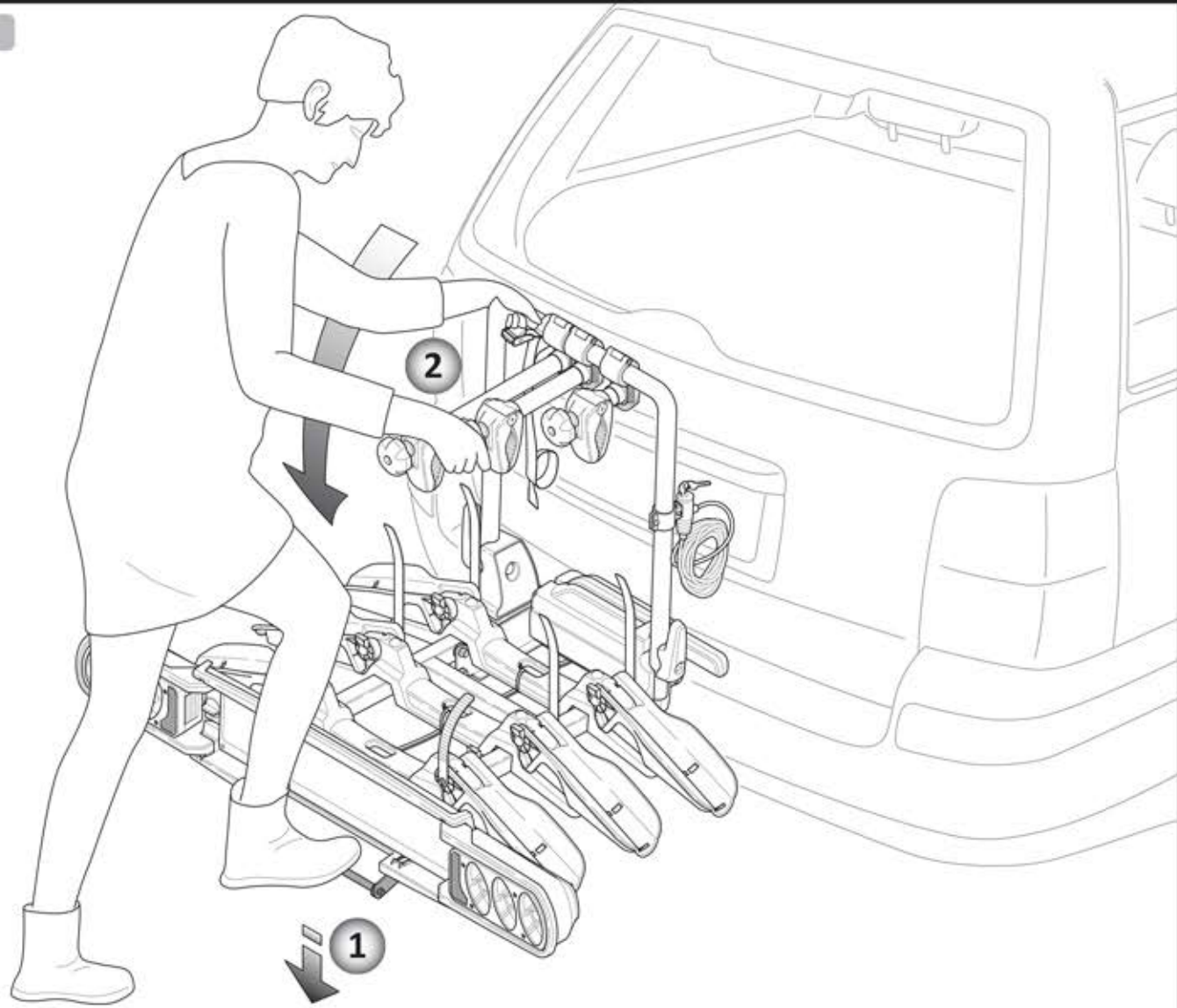
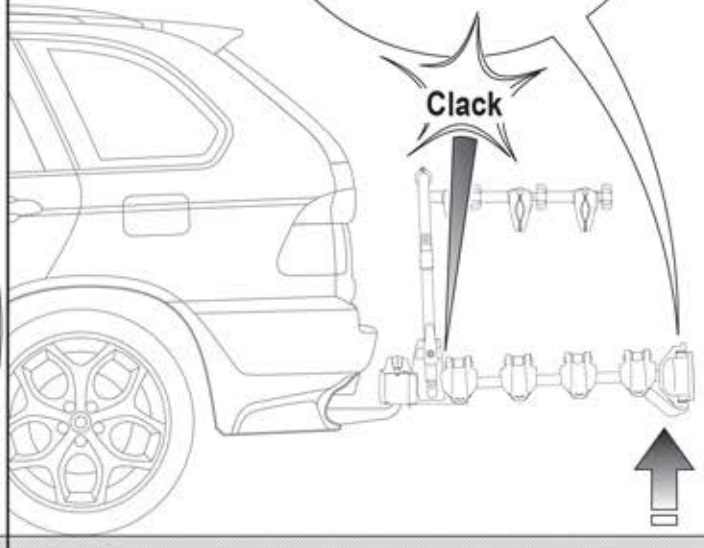
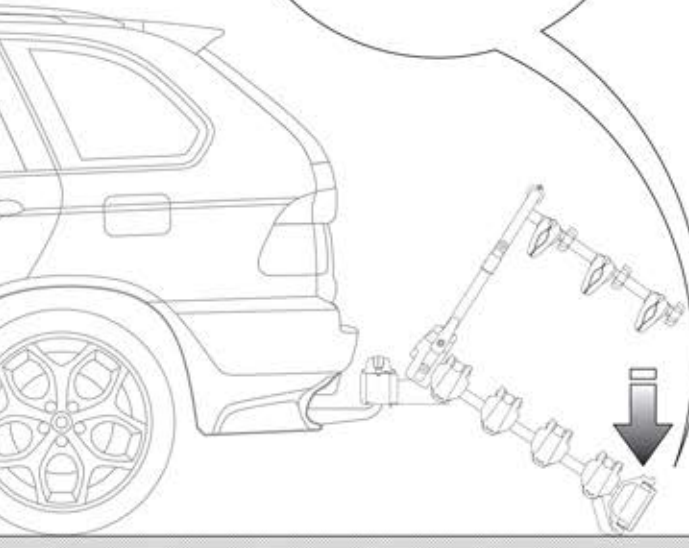


Fig. L



Fig. M



ASSEMBLY AND USER INSTRUCTIONS

Whenever this product is used the following information must be taken into consideration: the bike rack is a safe product if used correctly, but if it is used incorrectly it can cause damages to you and to anyone driving behind you.

HOW TO INSTALL THE BIKE CARRIER ON THE TOWBALL

For personal safety and to avoid damaging the vehicle we recommend 2 people mount the bike carrier.

Follow in sequence the actions in fig. **A-B-C-D-E-F**

Adjustment of closing lever force

It is always necessary to make the first adjustment when the product is purchased. Then, every time the product is used, the clamping force must be checked and adjusted if necessary. In order to prevent accidents and damage it is advisable to ask a second person to assist you in this procedure as well. After disengaging and lifting the lever horizontal position (**1-2 Fig. A**), The screw must be adjusted with the wrench provided so that the clamping force on the lever is increased to a minimum of **45 Kg**. (**2-3 Fig. B**). Make sure that the bike rack does not rotate when the clamping device has been locked.

ONLY FOR ART.708/4

Attach the strap hooks to the edges of the vehicle hatch, then insert the straps in the buckles (make sure the inlet direction is correct)(**1-2 Fig. G**).

IMPORTANT: Give the straps a good tug to check for tightness. Check the tightness before starting and during the trip.

POSITIONING AND FIXING THE BIKES ON THE BIKE RACK

In the case of bikes with carbon frames or forks, always consult the bike manufacturer or dealer to check if you are allowed to use the carrier.

Place the biggest and heaviest bike on the bike rack first, position the wheels in the tire cradles and fix it to the shortest arm (**1 Fig. H**). Secure the wheels by means of the fixing straps (**2 Fig. H**).

Repeat the operations in (**1-2 Fig.H**) for the second, third and fourth bikes. The first, second and third bikes are secured to the fixing arch with the fixing arms (**1 Fig. H**), whereas the fourth bike is secured to the third bike with fixing arm (**3 Fig. H1**).

If your bike protrudes excessively from the wheel cradles, use the 2 supplied adapters (**Fig. H2**); further adapters are available as optional extras art. 985.

IMPORTANT: For safe transportation of the load the bike carrier is supplied trap for tying es to the fixing arch. Check that the belt is mounted correctly by pulling on it (**4 Fig. H3**).

BIKE RACK INCLINATION

To tilt the bike rack hold it up with one hand while you press the pedal (**1-2 Fig. I**). To avoid injury or damage, this operation of tilting the bike rack should be carried out with the help of a third person. To close the bike rack, lift it until the tilt mechanism engages completely by passing from the tilt position (**Fig. L**) to the closed position (**Fig. M**).

ATTENTION – SAFETY REQUIREMENTS

As well as the information described below please observe the "Conditions, suggestions and limits for use" specified in the EC type test certificate.

- Weight and maximum capacity of bike racks:

- * Model **708/4** (19,89 kg.) ---> 4 bikes, max. capacity 60 kg.
- * Model **708/3** (17,38 kg.) ---> 3 bikes, max. capacity 60 kg.
- * Model **708** (15,68 kg.) ---> 2 bikes, max. capacity 60 kg.

- Do not use the cycle carrier on the road with wheel supports and light bar in closed position.
- Never exceed the permitted capacity of the towing hook installed. The combined weight of the bike rack and the load must never exceed the permitted capacity. Keep the towing hook ball surface clean from dirt and oil.
- The driver is always responsible for the load he is transporting and consequently he is also responsible for checking the fastenings both before starting the trip and at regular intervals during the trip.
- Check the car manual for the specifications concerning the maximum permissible rear axle weight.
- Verify compliance with the value **D** (maximum load bearing capacity) of the towball specified by the car or towball manufacturer; the value **D** for the towball must be at least (**760 Kg**) **7.6kN**; older towballs often only specify the permissible load on the towball **G_A** and the total permissible load of the towing vehicle **G_K** rather than value **D**; in this case the value **D** can be calculated using the values specified in the vehicle maintenance or registration booklet:

$$D = \frac{9,81}{1000} \times \frac{(G_A \times G_K)}{(G_A + G_K)}$$

(*D* in [kN] / *G_A* in [kg] / *G_K* in [kg])

- Remove from the transported bikes children's seats, transport baskets, rain covers or other elements that could get lost or increase the air resistance.
- Do not carry more bikes than the number indicated for a specific model.
- Bike parts, such as for example the handlebars or pedals, must not be left in the normal position of use; they must be folded to avoid dangerous projections.
- Ensure that the bike rack is fitted correctly on the towing hook and that the bikes are secured as instructed.
- The bike rack is only suitable for transporting bicycles.
- Before leaving, check that the rear lights function correctly. Also check that the indicator lights work correctly.
- Keep the connections clean (lighting board power plug and power outlet on the vehicle); use suitable cleaning materials when necessary.
- Do not use and/or attach the bike rack to the car before making the electrical connections.
- Check that the electrical cables are not damaged or likely to be damaged by interference with other elements of the vehicle or that they could, in any way, be accidentally cut.
- The lighting devices are not designed to be immersed in water.
- Any major work required to be done on the electrical system and connections must be performed by qualified personnel.
- Provide an additional number plate to be attached to the towball bike rack.

- Keep in mind that when driving a vehicle with a towball bike carrier the rear load projection is different to the normal projection, therefore, take care when reversing or parking as you need to consider the longer length of the vehicle; also be aware that the weight of the bikes loaded on the carrier alter the handling characteristics of the vehicle particularly in crosswind conditions, on bends or when braking; When on the road, respect the highway code speed limits and pay attention to the road conditions to prevent jolts.
- If the driver's rear view is obstructed the vehicle must be equipped with rearview mirrors to ensure safe driving.
- To avoid damage, if the boot lid is equipped with an automatic opening function, use this function with care.
- The rear lights of the vehicle are partially or completely covered when using the towball carrier which is why the model that you have purchased is equipped with an extra light and numberplate system. The necessary number and type of lights depend on the date of the vehicle's first registration, as set out below:

REGISTRATION BEFORE 01.01.1987	REGISTRATION BETWEEN 01.01.1987 AND 31.12.1990
It is not obligatory to use fog lights or reversing lights on the towball bike carrier.	It is not obligatory to use fog lights but it is mandatory to use the reversing lights of the towball bike carrier.
Use of a 7 pin plug is permitted.	Use of a 7 pin plug is permitted. In the event of incompatibility between socket and plug use suitable adaptors that are readily available on the market.
REGISTRATION AFTER 01.01.1991	REGISTRATION AFTER 01.01.1998
All the lights of the towball bike carrier must be operational. Fog lights and reversing lights are obligatory.	The towball bike carrier must not cover the third brake lights. The third brake light must be visible otherwise it must be repeated on the towball bike carrier.
It is necessary to use a relay or electric plug with a cutoff system that ensures that the vehicle's fog lights switch off automatically when the towball bike carrier is used and come on as soon as the plug is removed (Only a 13 pin plug complies with this requirement).	

- If the load protrudes more than 40 cm beyond the surface of the lights of the towball bike carrier then a visual sign must be attached to it.
- Check all the bike rack fixing elements after a short while, then at regular intervals.
- Check the distance between the bike rack, the bikes and the exhaust pipe(s) to avoid heat damages.
- To increase road safety and to reduce fuel consumption, remove the bike rack when not in use.
- Modifications to the bike rack and its components are not permitted. Immediately replace any worn or damaged part using original spare parts exclusively.
- The bike rack can be cleaned by using warm water and/or car shampoo. Store the bike rack in dry conditions at moderate temperatures.

WE RECOMMEND YOU KEEP THESE INSTRUCTIONS IN A SAFE PLACE AND READ THEM EACH TIME YOU USE THE CARRIER.

We, the manufacturers do not accept any responsibility for the misuse of this product, or a use not in accordance with our instructions.

WARNING : Keep within the laws of the country in which you are using the bike carrier.

THE TYPE APPROVAL CERTIFICATE CAN BE DOWNLOADED FROM THE PRODUCT TECHNICAL DATA SHEET ON OUR WEB SITE

www.peruzzosrl.com