



SKODA FABIA III 5D

Cat. no:

H24



09.2014 →



E20-55R-01 4131



2h

D

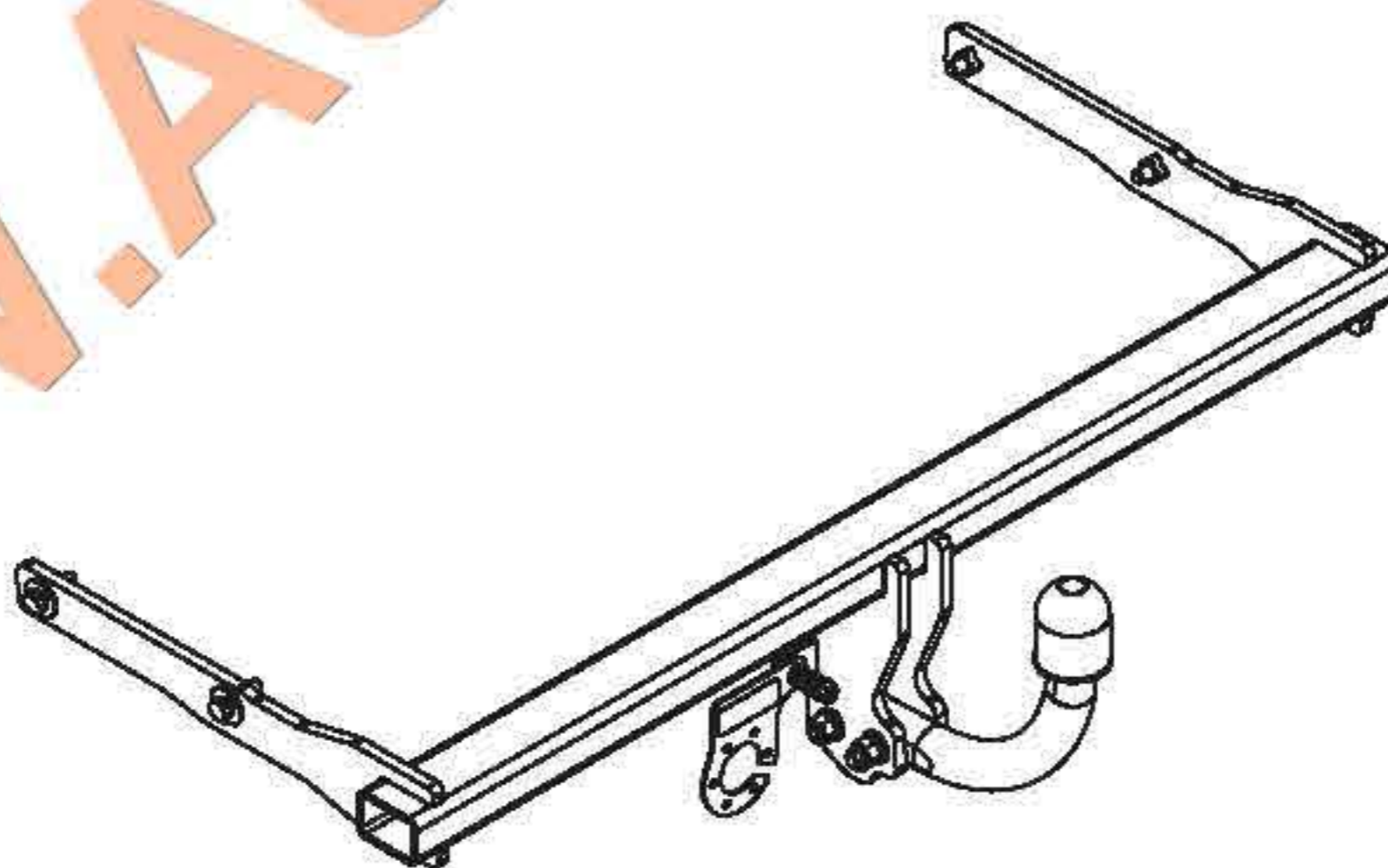
6,7 kN



R=1200 kg



S=75 kg



M6 - 11 Nm
M10 - 50 Nm
M14 - 138 Nm

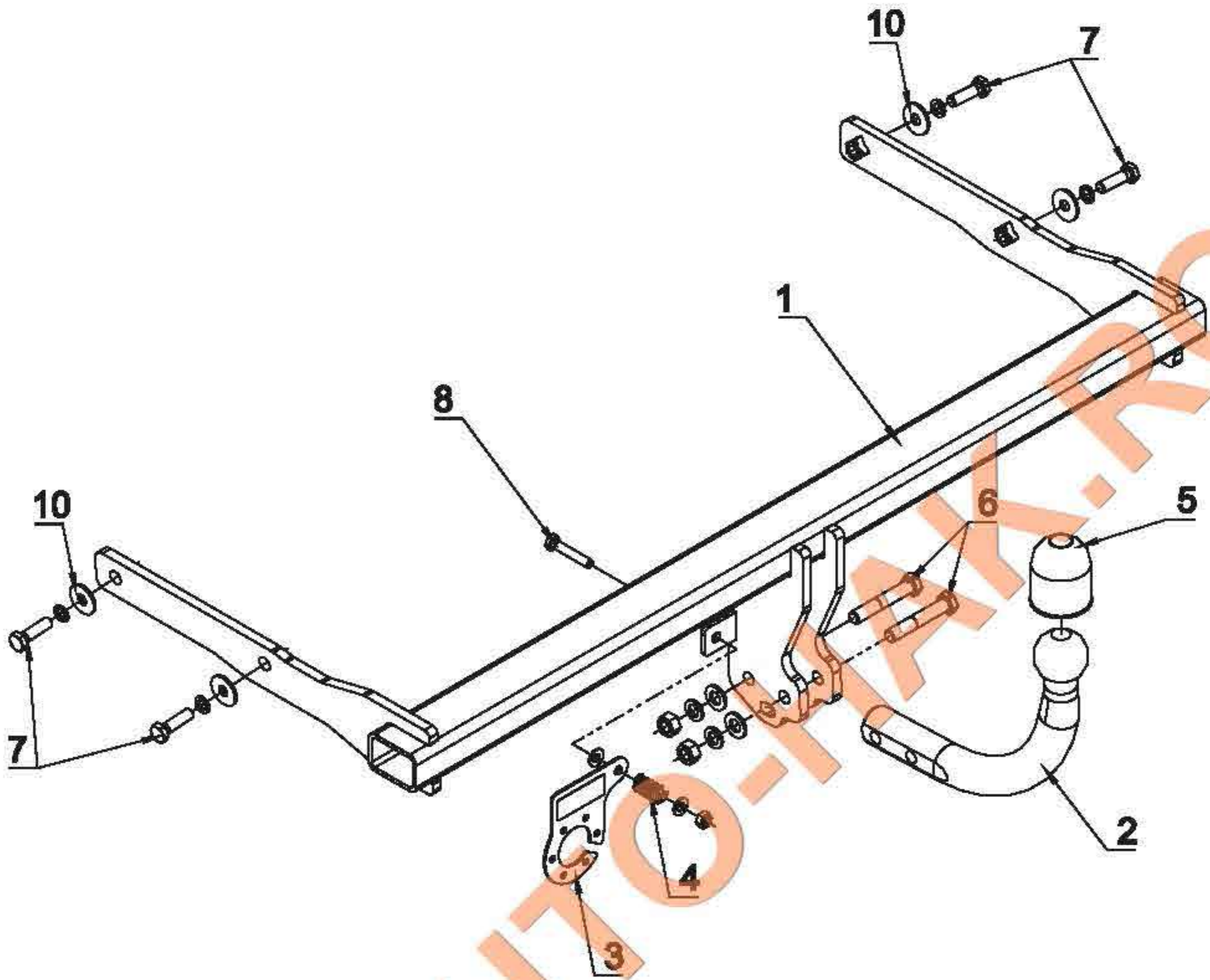
M8 - 25 Nm
M12 - 87 Nm
M16 - 210 Nm

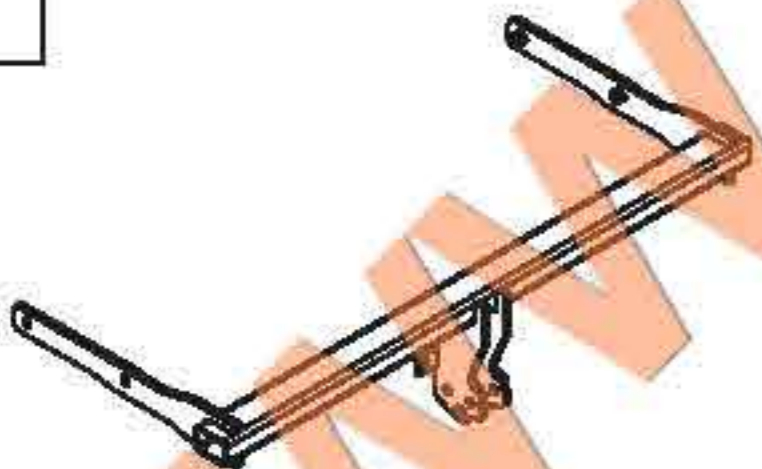










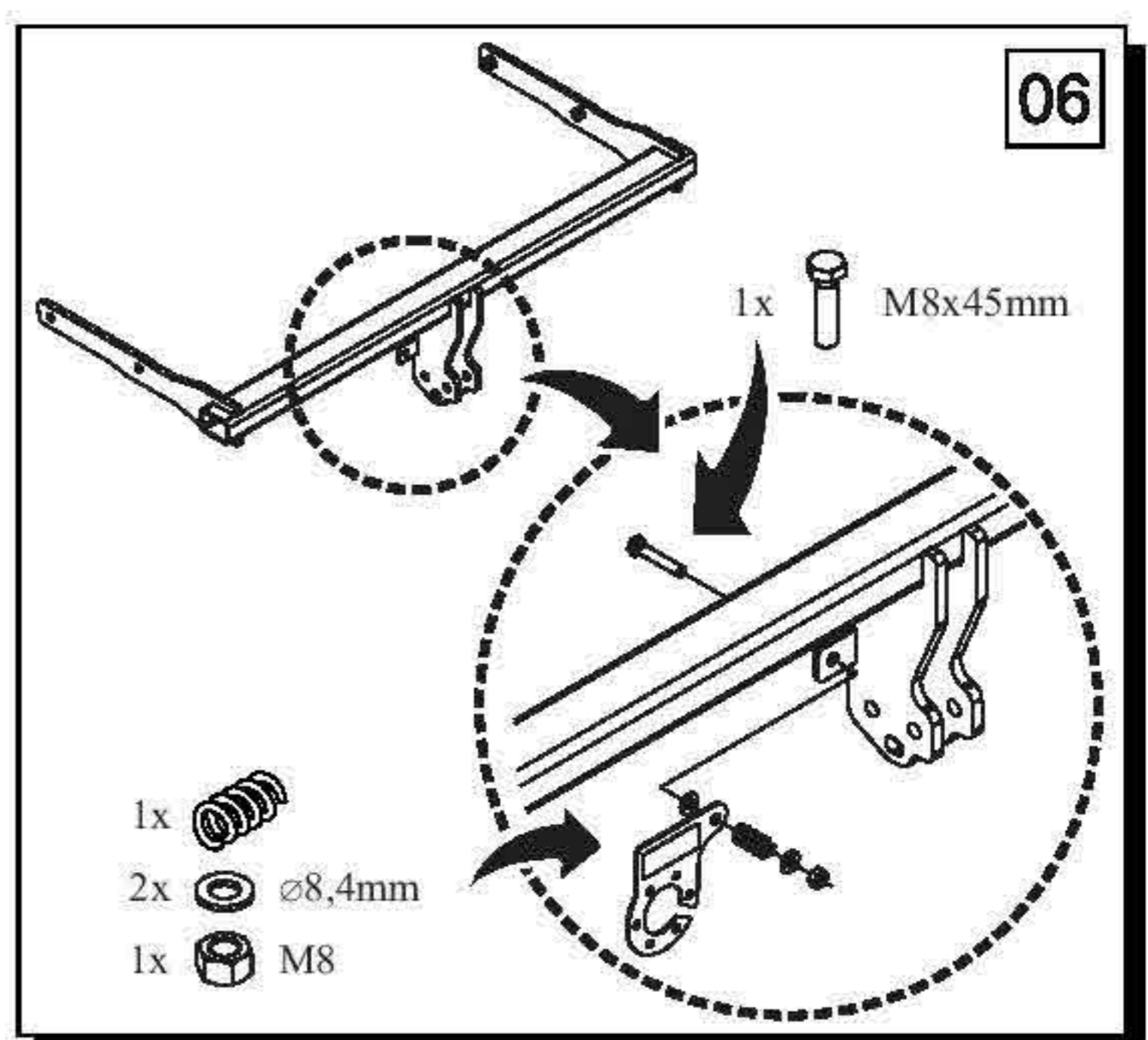
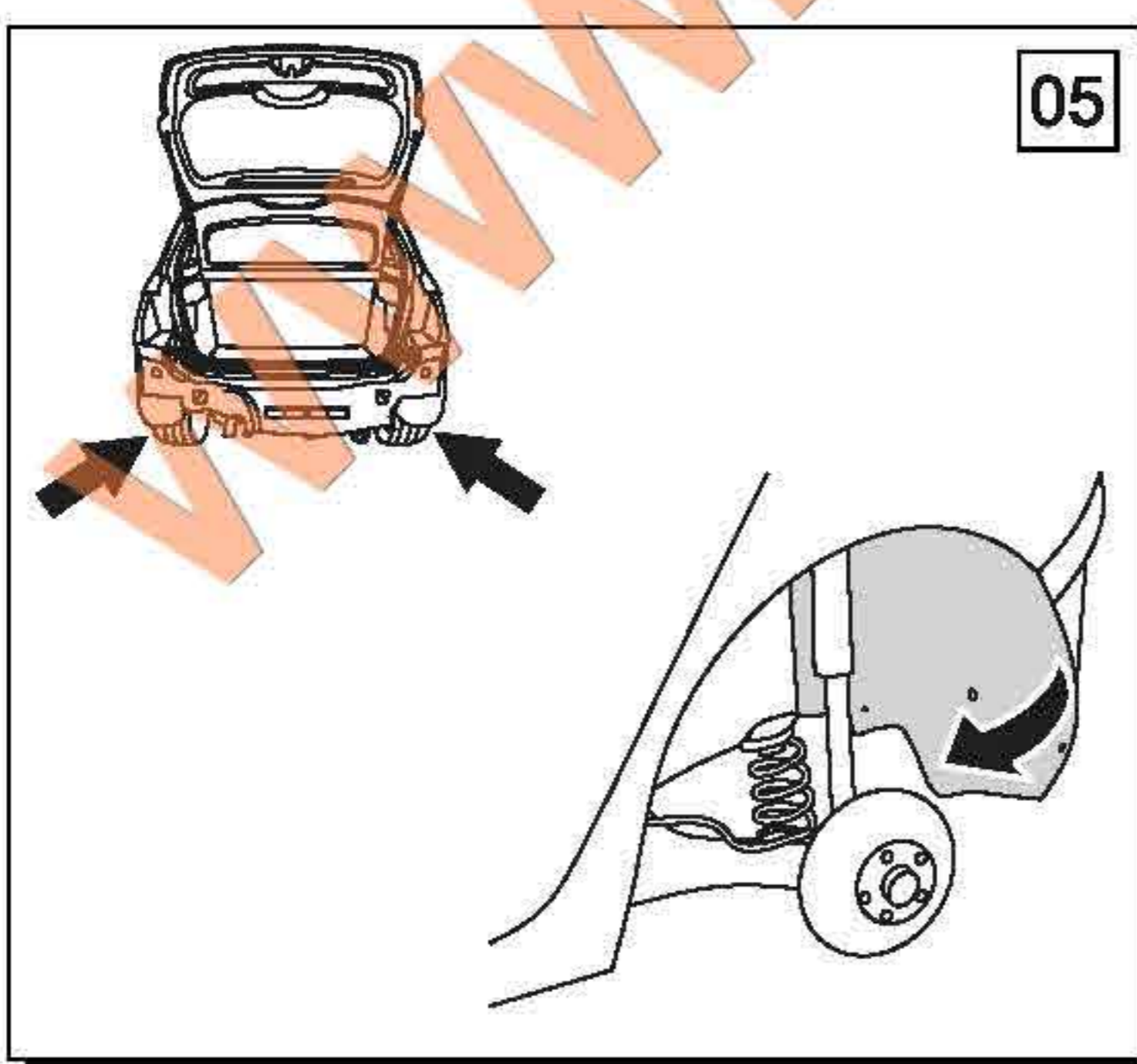
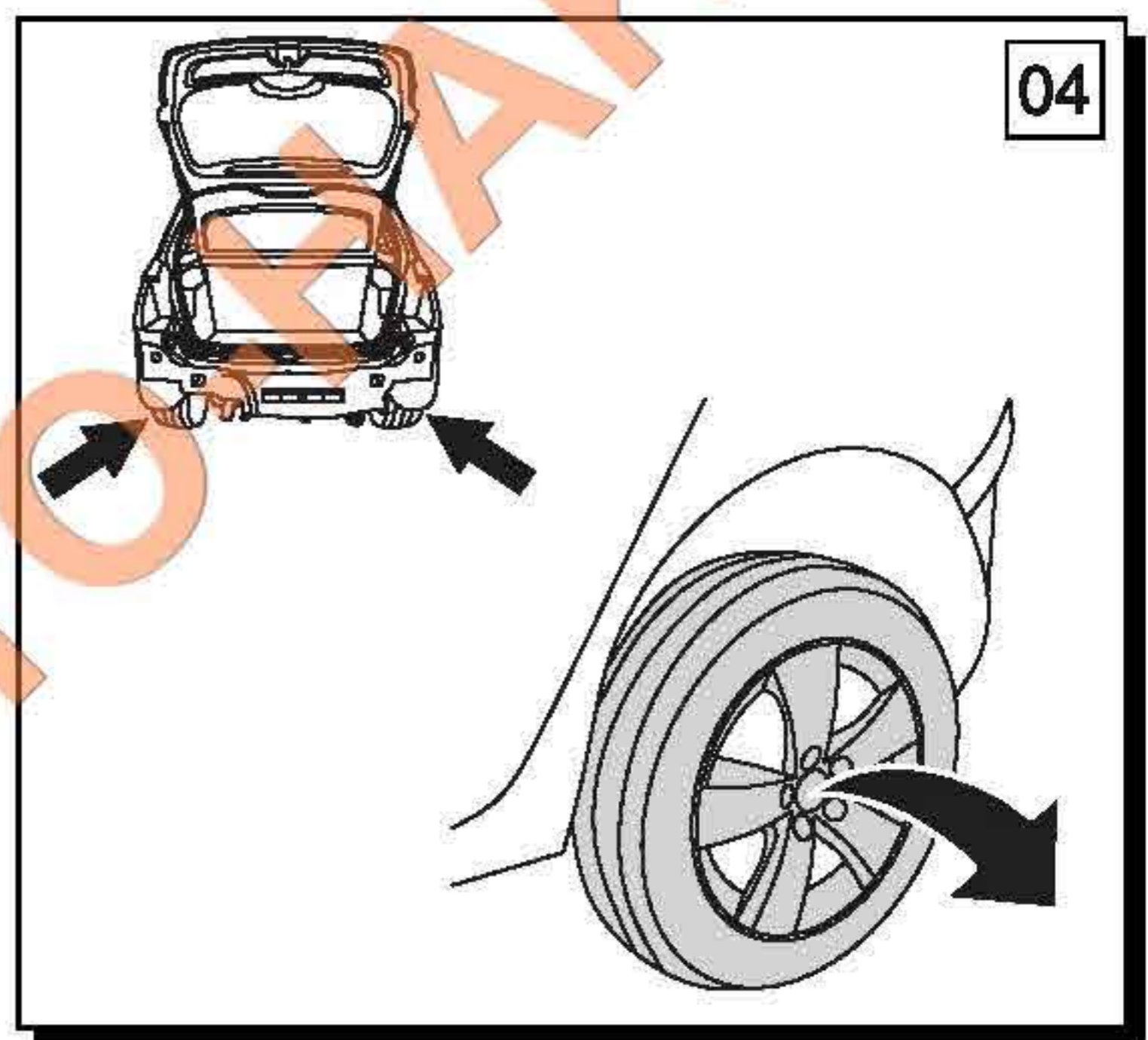
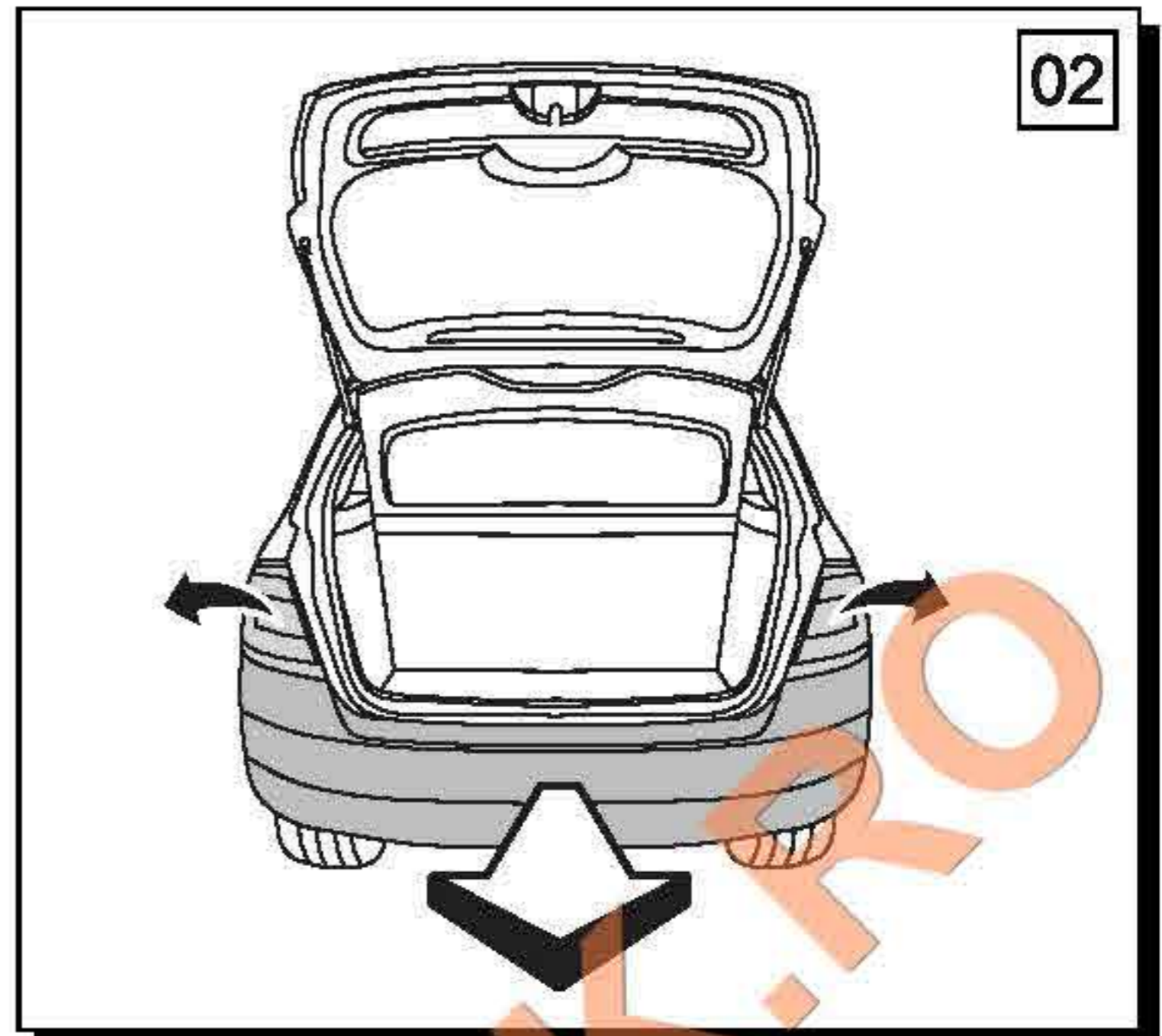
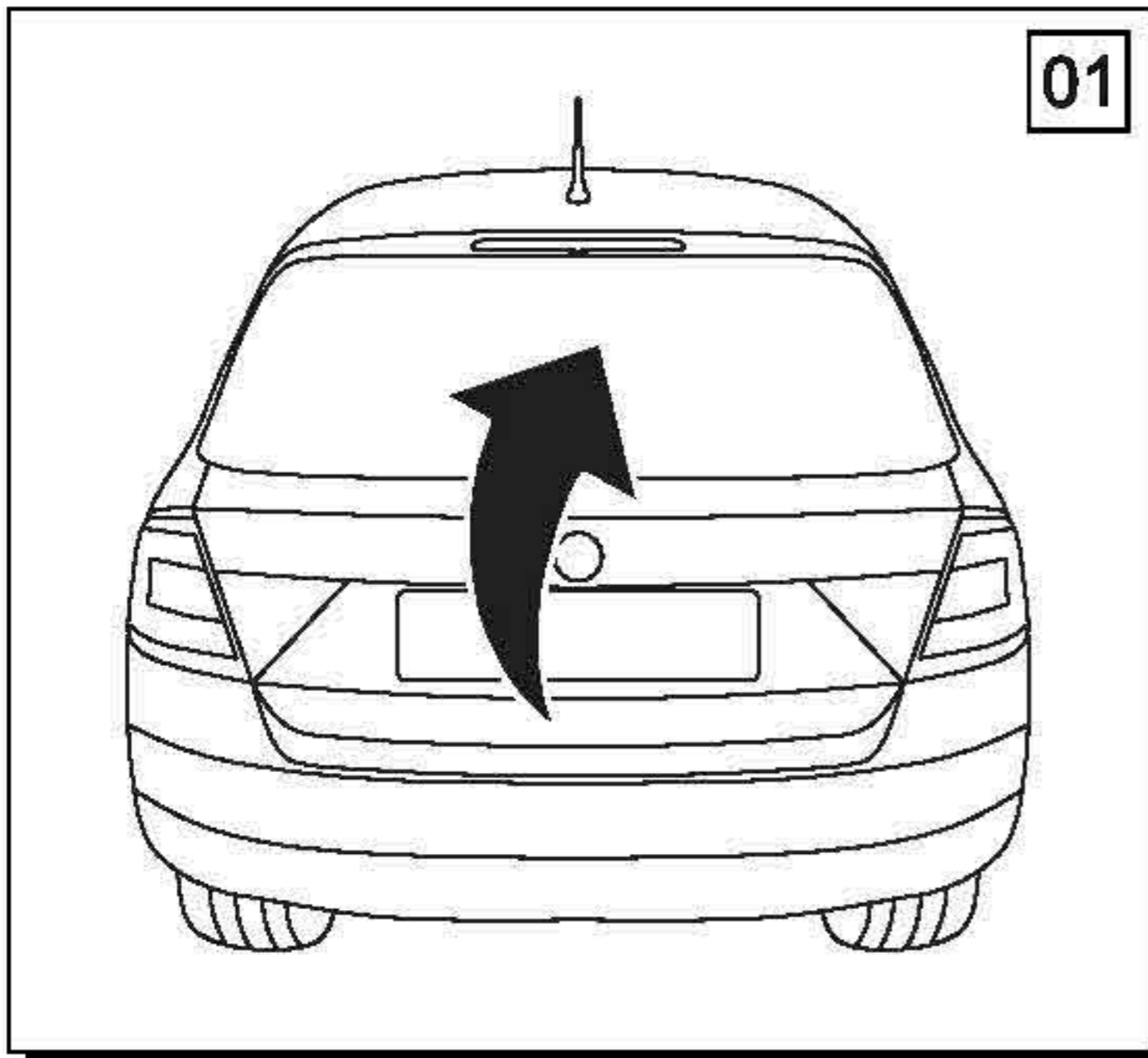
0 km



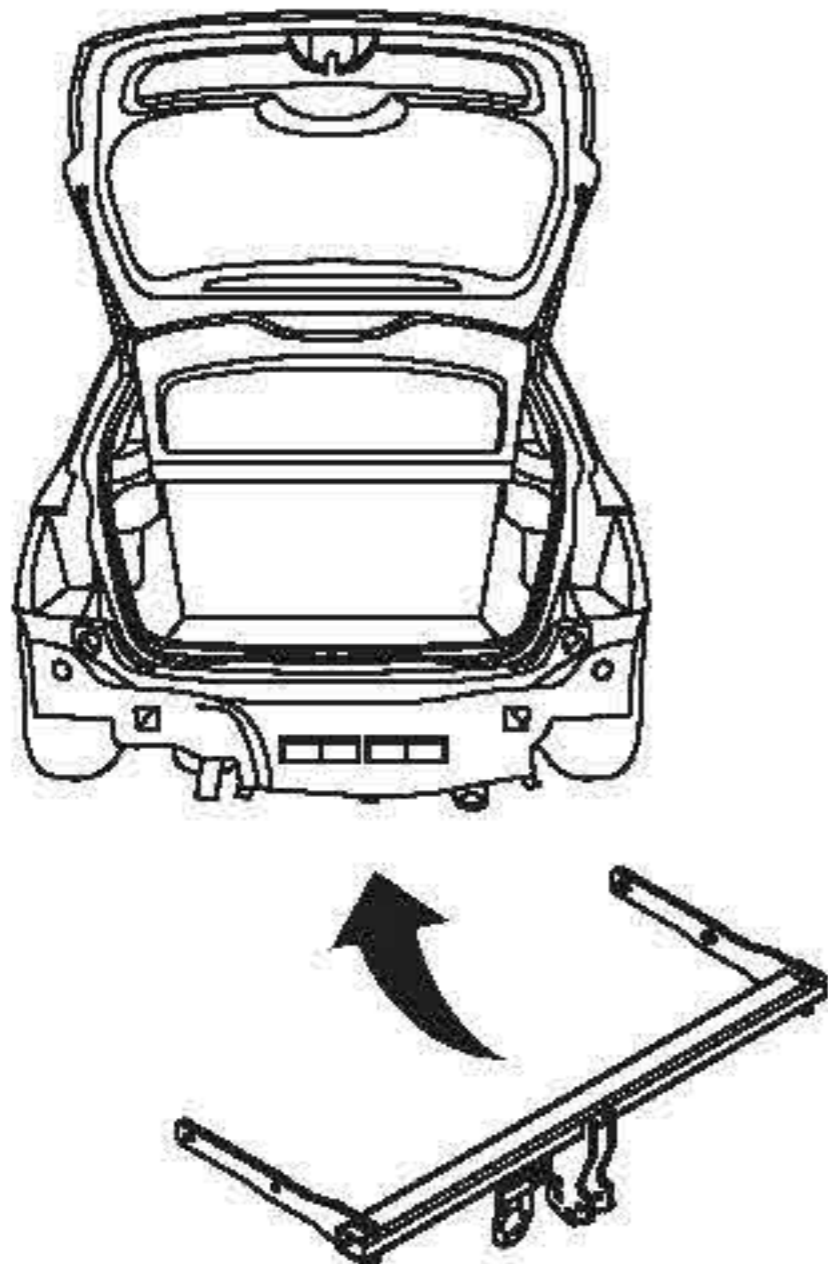
1000 km



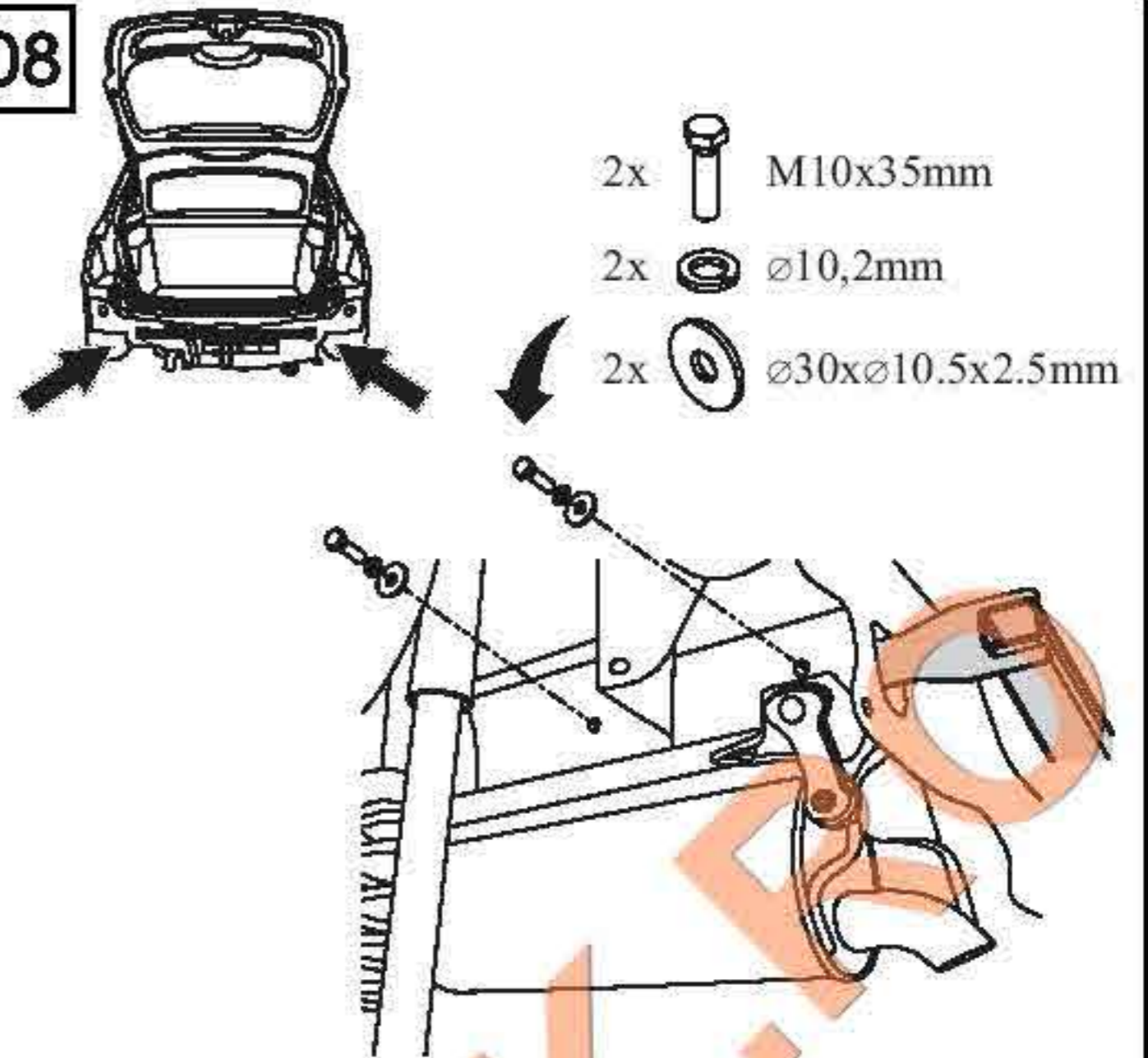
1		x1		6 M12x70	x2
				7 M10x35	x4
				8 M8x45	x1
				9 ϕ 13	x2
				10 ϕ 30x ϕ 10.5x2.5 10 DIN 9021	4
2		x1 Art.nr-KL1H24		11 ϕ 8.5	x2
3		x1 Art.nr-BL1H24		12 ϕ 12.2	x2
				13 ϕ 10.2	x4
4		x1		14 M12	x2
				15 M8	x1
5		x1			



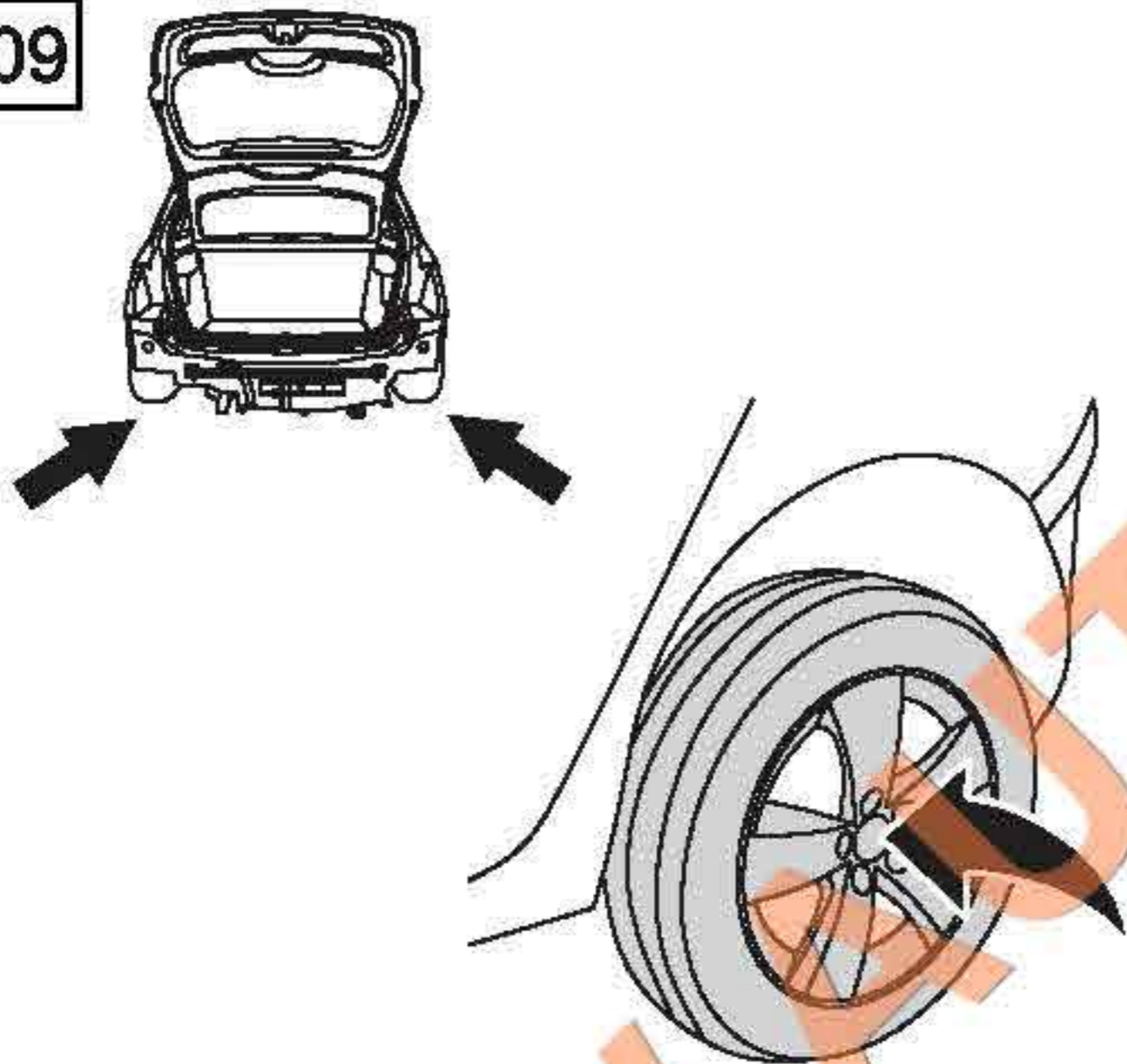
07



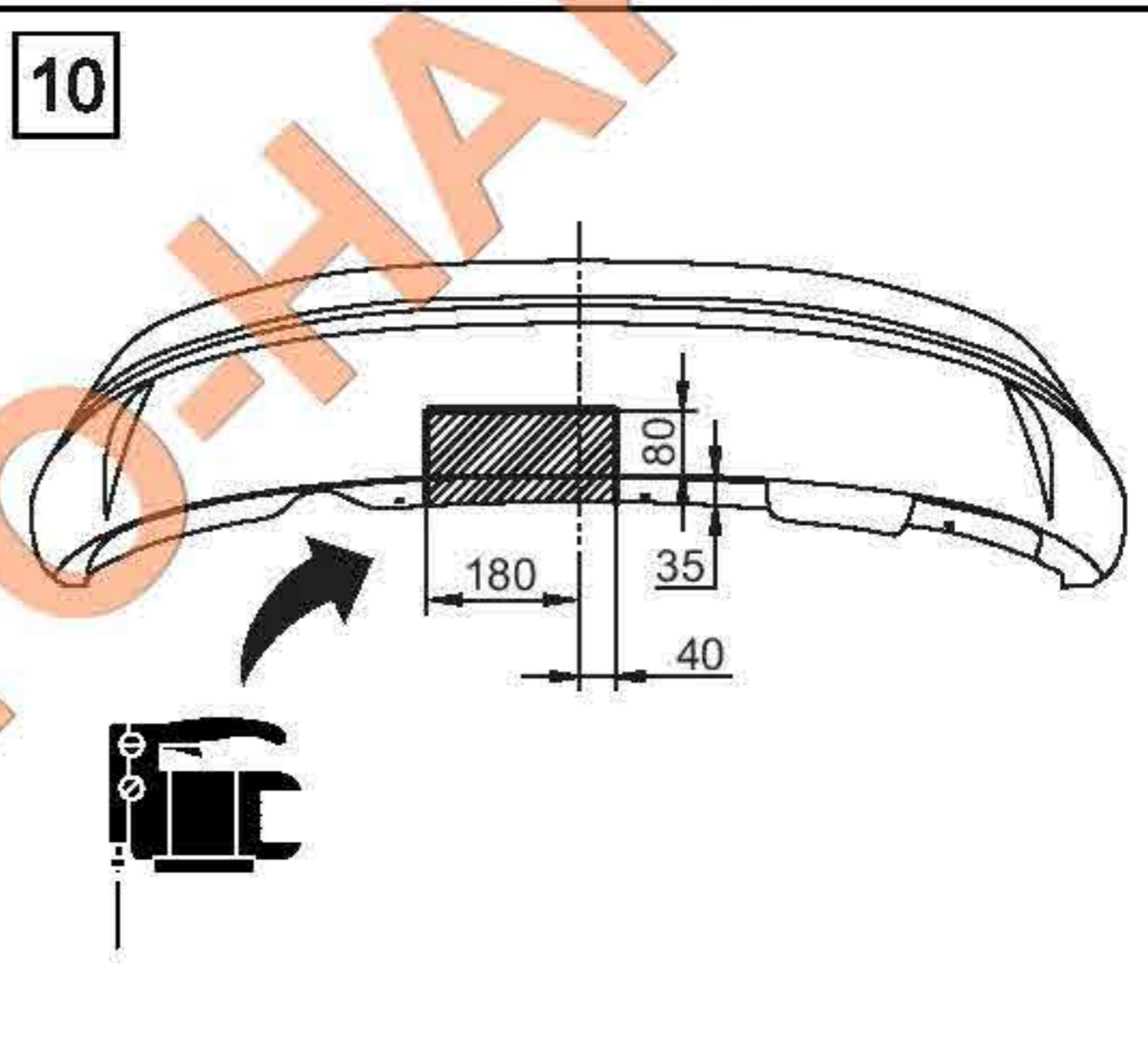
08



09



10



11



12

