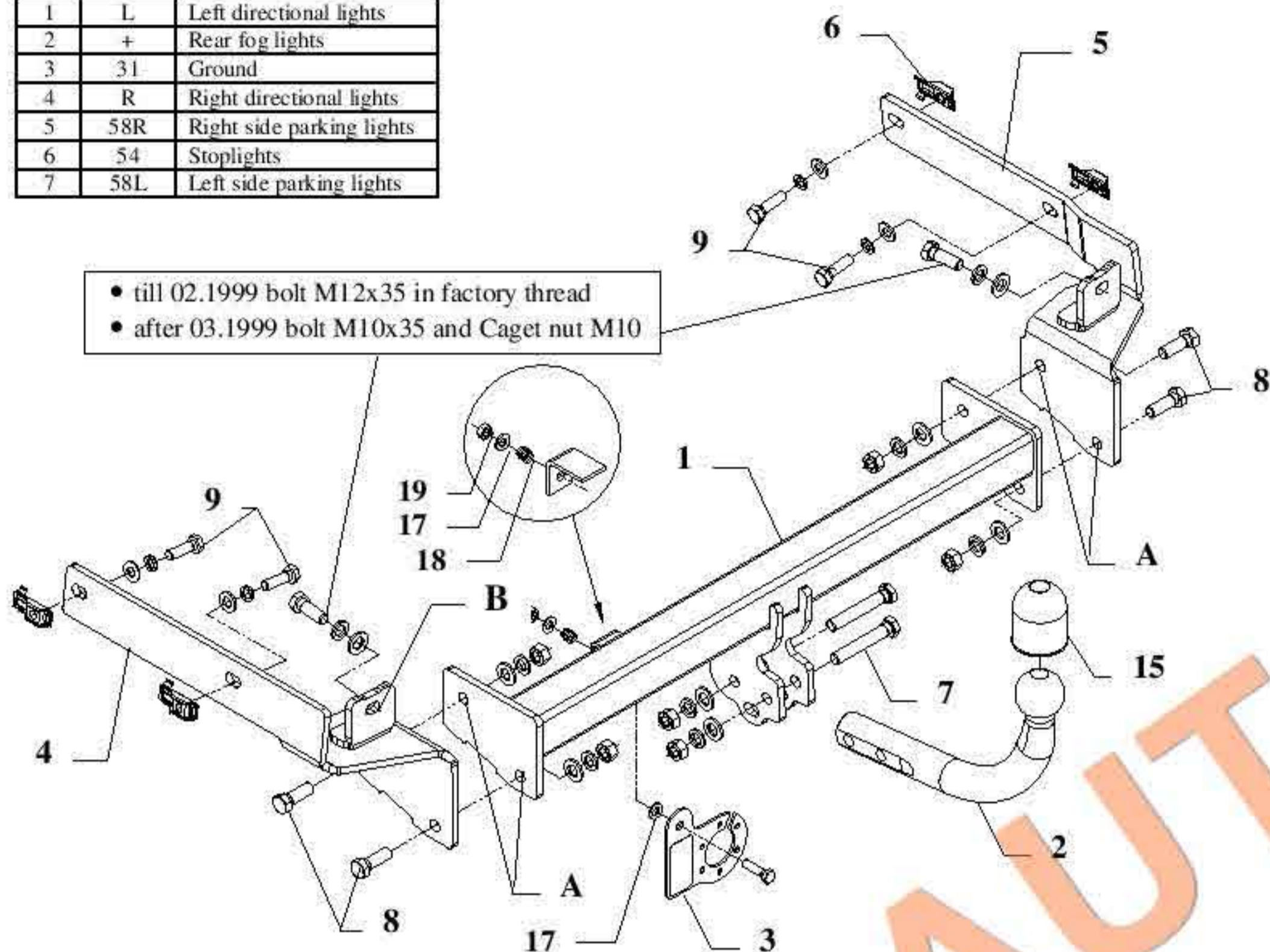


FITTING INSTRUCTION

Clamp mark in acc. with		Cables joining
ISO	PN	
1	L	Left directional lights
2	+	Rear fog lights
3	31	Ground
4	R	Right directional lights
5	58R	Right side parking lights
6	54	Stoptlights
7	58L	Left side parking lights



This towbar is designed to assembly in following cars: **PEUGEOT 406, 4 doors**, produced since 1995 till 02.1999 and produced since 03.1999 till 2004, catalogue no. **F06** and is prepared to tow trailers max total weight **1700 kg** and max vertical load **80 kg**.

From manufacturer

Thank you for buying our product. Their reliability has been confirmed in many tests. Reliability of towbar depends also on correct assembly and right operation. For this reasons we kindly ask to read carefully this instruction and apply to hints.

The towbar should be install in points described by a car producer.

INSTRUCTIUNI MONTAJ

1. Puneți piulițele M10 în găurile existente în elementele de șasiu pe partea stângă și dreaptă a mașinii. **NOTĂ!** În modelele fabricate după 03.1999 pune piulițele gauri, de asemenea, în fabrica (poz. preparat așa B), în piesa din spate a mașină.
2. În locurile pregătite fixați suporturile laterale (poz. 4 și 5, a se vedea desen) cu șuruburi de la accesorii.
3. Între paranteze pune bara principală a barei de tractare (poz. 1) și prin găuri (poz. A și B) fixați cu șuruburi M12x35mm (Poz. 8).
4. Montați bara de protecție.
5. Fixați cuplajul sferic (poz. 2), cu ajutorul șuruburilor M12x75mm (poz. 7) din accesorii.
6. Se fixează placa soclu (poz. 3), așa cum se arată în desen.
7. Strângeți toate șuruburile conform cuplului indicat în tabel.
8. Conectați priza cu 7 poli de funcție ADRESATE instruirea mașinii.

Torque settings for nuts and bolts (8,8):	
M 8 - 25 Nm	M 10 - 55 Nm
M 12 - 85 Nm	M 14 - 135 Nm

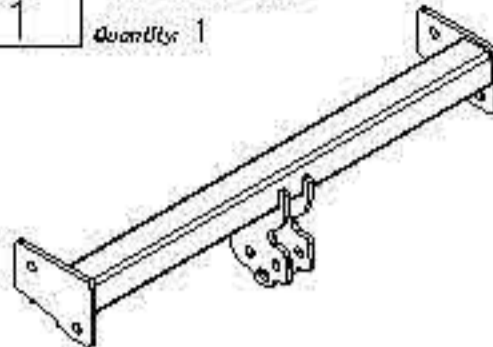
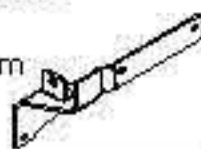


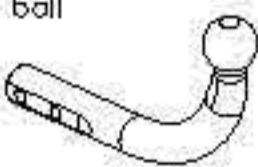
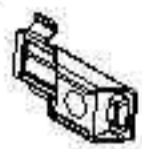



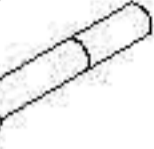


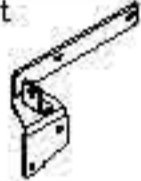



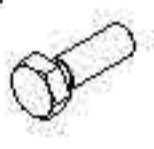


NOTE

After install the towbar you should get adequate note in registration book (at authorised service station). The car should be equipped with:

- Indicators
- Tow mirrors

After 1000km check all bolts and nuts. The ball of towbar must be always kept clear and conserve with a grease.

Towbar accessories:

Pos. 1 Name: Main bar Quantity: 1 Dim.: 434x177x115mm	Pos. 5 Name: Right bracket Quantity: 1 Dim.: 434x177x115mm	Pos. 10 Name: Nut 8 B Quantity: 6 Dim.: M12	Pos. 15 Name: Ball cover Quantity: 1
			
Pos. 2 Name: Tow ball Quantity: 1	Pos. 6 Name: "Coget nut" Quantity: 6 Dim.: M10 (19x50mm)	Pos. 11 Name: Plain washer Quantity: 8 Dim.: Ø 13 mm	Pos. 16 Name: Bolt 8,8 B Quantity: 1 Dim.: M8x30mm
			
Pos. 3 Name: Socket plate Quantity: 1	Pos. 7 Name: Bolt 8,8 B Quantity: 2 Dim.: M12x75mm	Pos. 12 Name: Plain washer Quantity: 6 Dim.: Ø 10,5 mm	Pos. 17 Name: Plain washer Quantity: 2 Dim.: Ø 8,5 mm
			
Pos. 4 Name: Left bracket Quantity: 1 Dim.: 434x177x115mm	Pos. 8 Name: Bolt 8,8 B Quantity: 6 Dim.: M12x35mm	Pos. 13 Name: Spring washer Quantity: 8 Dim.: Ø 12,2 mm	Pos. 18 Name: Spring Quantity: 1
			
	Pos. 9 Name: Bolt 8,8 B Quantity: 6 Dim.: M10x35mm	Pos. 14 Name: Spring washer Quantity: 6 Dim.: Ø 10,2 mm	Pos. 19 Name: Nut 8 B Quantity: 1 Dim.: M8
			

S.C. AUTO GEDAL IMPEX S.R.L.
 Tel: +40 745.805.990 / +40 737.122.471
 Email: autogedal@gmail.com
 office@auto-hak.ro
 Web Page: www.auto-hak.ro

Towing hitch (without electrical set)

Class: A50-X Cat. no. **F06**

Designed for:

Manufacturer: **PEUGEOT**

Model: **406**

Type: **4 doors**

produced since 1995 till 02.1999

and produced since 03.1999 till 2004

Technical data:

D-value: 9,16 kN

maximum trailer weight: **1700 kg**

maximum vertical cup load: **80 kg**

Approval number acc. to regulations EKG/ONZ 55.01: E20-55R-01 0907

Foreword

This towbar is designed according to rules of safety traffic regulations. The towing hitch is a safety component and must be installed only by qualified personnel. Any alteration or conversion to the towinh hitch is prohibited and would lead to cancellation of design certification. Remove insulating compound and underseal from vehicle (if present) in the area of the matting surfaces of the towing hitch. The vehicle manufacturer's specifications regarding trailer load and max. vertical cup load are decisive for driving, and values for the towing hitch cannot be exceeded.

D-value formula:

$$\frac{\text{Max trailer weight [kg]} \times \text{Max vehicle weight [kg]}}{\text{Max trailer weight [kg]} + \text{Max vehicle weight [kg]}} \times \frac{9,81}{1000} = D \text{ [kN]}$$