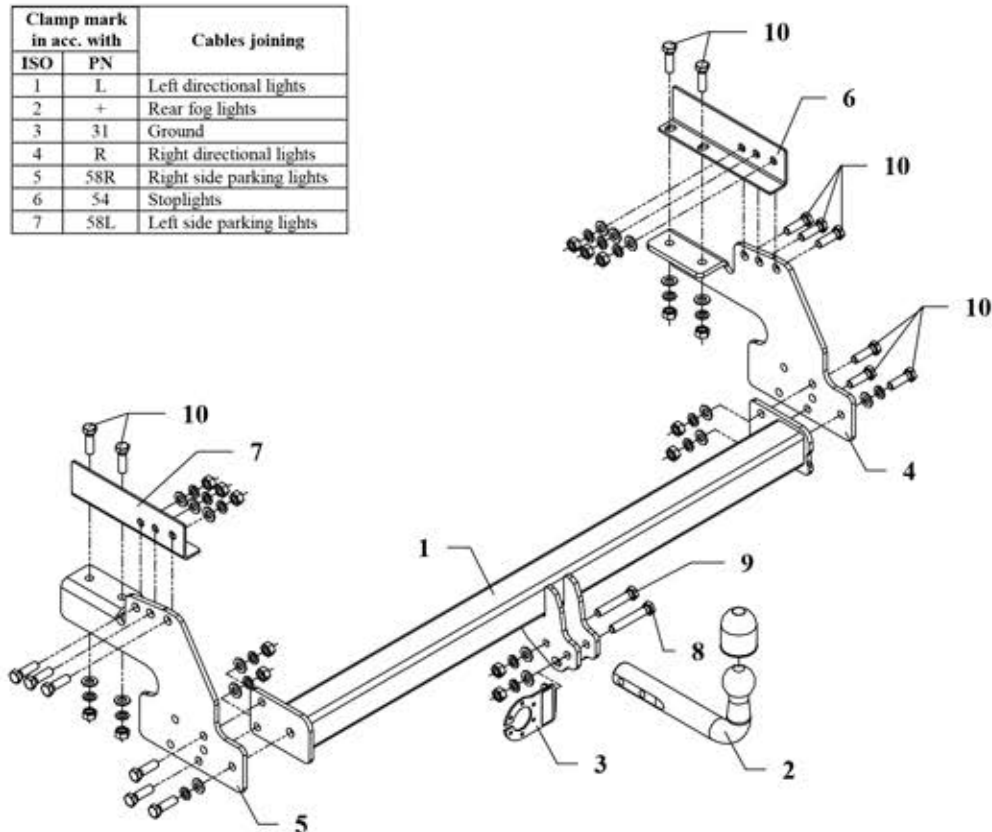


FITTING INSTRUCTION

Clamp mark in acc. with		Cables joining
ISO	PN	
1	L	Left directional lights
2	+	Rear fog lights
3	31	Ground
4	R	Right directional lights
5	58R	Right side parking lights
6	54	Stoplights
7	58L	Left side parking lights



This towing hitch is designed to assembly in following cars: **NISSAN PICK-UP (pipe bumper)**, produced since 2002 and **NISSAN NP 300 PICK-UP (pipe bumper)**,, produced since 2008, catalogue no. **V68** and is prepared to tow trailers max total weight **3000 kg** and max vertical mass **100 kg**.

From manufacturer

Thank you for buying our product. Their reliability has been confirmed in many tests. Reliability of towing hitch depends also on correct assembly and right operation. For this reasons we kindly ask to read carefully this instruction and apply to hints.

The towing hitch should be install in points described by a car producer.

Instruirea ansamblului

1. Demontați șuruburile de fixare din bara de protecție.
2. paranteze Așezați laterale între paranteze ale barei de protecție și șasiu. găuri de foraj $\varnothing 13\text{mm}$ în cadrul mașinii (Prin găurile din paranteze).
3. Aplicați paranteze (poz. 4 și 5), cu mânere unghiulare (poz. 6 și 7) și fixați cu șuruburi M12x40mm (poz. 10) de la remorcarea Accesorii zgudui.
4. Aplicați bara principală a cârlig de remorcare (poz. 1) paranteze (Poz. 4 și 5) și fixați cu șuruburi M12x40mm (poz. 10). La cele două paranteze sunt două seturi de găuri. Utilizați una sau alta în funcție de vehicul (4x2 sau 4x4).
5. Fix tractare cu bile (poz. 2) folosind șurubul M12x75mm (poz. 8) și M12x70mm (poz. 9). Cu șurub M12x75mm fix, de asemenea, o priză placă (poz. 3). A se vedea figura 1.
6. Strângeți toate șuruburile conform cuplului indicat în tabel.
7. fire electrice Conectați din priză cu 7 poli de funcție ADRESATE instruirea masinii. (Spune-i față la autorizat atelier auto).
8. Strat de vopsea complet deteriorate în timpul instalării.

Torque settings for nuts and bolts (8,8):

M 8 - 25 Nm

M 10 - 55 Nm

M 12 - 85 Nm

M 14 - 135 Nm

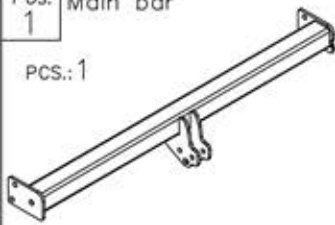




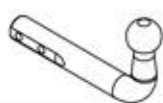








NOTE

After install the towing hitch you should get adequate note in registration book (at authorised service station). The car should be equipped with:

- Indicators
- Tow mirrors

After 1000km of exploitation check all bolts and nuts. The ball of towing hitch must be always kept clear and conserve with a grease.

Towing hitch accessories:

<p>Pos. 1</p> <p>Main bar</p> <p>PCS.: 1</p> 	<p>Pos. 5</p> <p>Left bracket</p> <p>PCS.: 1</p> 	<p>Pos. 10</p> <p>Bolt 8,8 B M12x40mm</p> <p>PCS.: 16</p> 
	<p>Pos. 6</p> <p>Right handle</p> <p>PCS.: 1</p> 	<p>Pos. 11</p> <p>Nut 8 B M12</p> <p>PCS.: 16</p> 
<p>Pos. 2</p> <p>Tow ball</p> <p>PCS.: 1</p> 	<p>Pos. 7</p> <p>Left handle</p> <p>PCS.: 1</p> 	<p>Pos. 12</p> <p>Plain washer ø13mm</p> <p>PCS.: 18</p> 
<p>Pos. 3</p> <p>Socket plate</p> <p>PCS.: 1</p> 	<p>Pos. 8</p> <p>Bolt 8,8 B M12x75mm</p> <p>PCS.: 1</p> 	<p>Pos. 13</p> <p>Spring washer ø12.2mm</p> <p>PCS.: 18</p> 
<p>Pos. 4</p> <p>Right bracket</p> <p>PCS.: 1</p> 	<p>Pos. 9</p> <p>Bolt 8,8 B M12x70mm</p> <p>PCS.: 1</p> 	<p>Pos. 14</p> <p>Ball cover</p> <p>PCS.: 1</p> 

S.C. AUTO GEDAL IMPEX S.R.L.
 Tel: +40 745.805.990 / +40 737.122.471
 Email: autogedal@gmail.com
 office@auto-hak.ro
 Web Page: www.auto-hak.ro

Towing hitch (without electrical set)

Class: **A50-X** Cat. no. **V68**

Designed for:

Manufacturer: **NISSAN**

Model: **PICK-UP**

(pipe bumper),

produced since 2002 and

Manufacturer: **NISSAN**

Model: **NP 300 PICK-UP**

(pipe bumper)

produced since 2008

Technical data:

D-value: 15,0 kN

maximum trailer weight: **3000 kg**

maximum vertical cup mass: **100 kg**

Approval number according to Directive 94/20/EC: e20*94/20*0696*00

Foreword

This towing hitch is designed according to rules of safety traffic regulations. The towing hitch is a safety component and can be install only by qualified personnel. Any alteration or conversion of the towing hitch is prohibited and would lead to cancellation of design certification. Remove insulating compound and underseal from vehicle (if present) in the area of the matting surfaces of the towing hitch.

The vehicle manufacturer's specifications regarding trailer mass and max. vertical cup mass are decisive for driving whereat values for the towing hitch cannot be exceeded.

D-value formula:

$$\frac{\text{Max trailer weight [kg]} \times \text{Max vehicle weight [kg]}}{\text{Max trailer weight [kg]} + \text{Max vehicle weight [kg]}} \times \frac{9,81}{1000} = D \text{ [kN]}$$